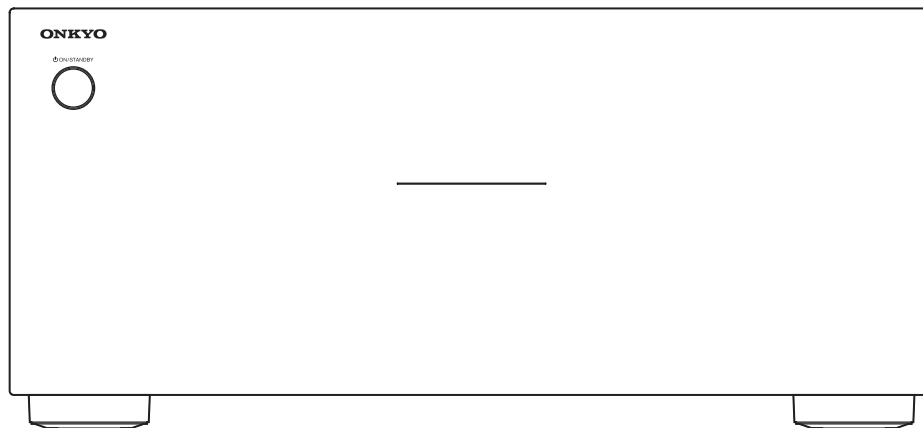


# ONKYO® SERVICE MANUAL

## 9-CHANNEL AMPLIFIER MODEL PA-MC5501(B)



**Black model**

B MDC	120V AC, 60Hz
B MMP	220-240V AC, 50/60Hz
B MMR	220-240V AC, 50/60Hz

### SAFETY-RELATED COMPONENT WARNING!!

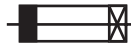
COMPONENTS IDENTIFIED BY MARK  $\triangle$  ON THE SCHEMATIC DIAGRAM AND IN THE PARTS LIST ARE CRITICAL FOR RISK OF FIRE AND ELECTRIC SHOCK. REPLACE THESE COMPONENTS WITH ONKYO PARTS WHOSE PART NUMBERS APPEAR AS SHOWN IN THIS MANUAL.

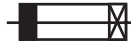
MAKE LEAKAGE-CURRENT OR RESISTANCE MEASUREMENTS TO DETERMINE THAT EXPOSED PARTS ARE ACCEPTABLY INSULATED FROM THE SUPPLY CIRCUIT BEFORE RETURNING THE APPLIANCE TO THE CUSTOMER.

ONKYO SOUND & VISION CORPORATION  
Service Department

# SERVICE PROCEDURE

## 1. Replacing the fuses

 This symbol located near the fuse indicates that the fuse used is slow operating type, For continued protection against fire hazard, replace with same type fuse, For fuse rating, refer to the marking adjacent to the symbol.

 Ce symbole indique que le fusible utilise est e lent. Pour une protection permanente, n'utiliser que des fusibles de meme type. Ce dernier est indique la qu le present symbol est apposse.

REF NO.	PART NAME	DESCRIPTION	QT'Y	PART NO.	REMARKS
F6601	FUSE	20A-UL-250V	1	252304GR	!
F6602	FUSE	20A-UL-250V	1	252304GR	!
F6603	FUSE	20A-UL-250V	1	252304GR	!
F6604	FUSE	20A-UL-250V	1	252304GR	!
F9100	FUSE	6.3A-SE-EAK	1	252079GR	! <MMP, MMR>
F9100 or	FUSE	6.3A-SE-TL250V	(1)	252279GR	! <MMP, MMR>
F9100	FUSE	12A-UL-ST6	1	252340GR	! <MDC>
F9301	FUSE	3.15A-UL/T-233	1	252323GR	!
F9301 or	FUSE	3.15A-T/UL-ST2	(1)	252256GR	!
F9401	FUSE	3.15A-UL/T-233	1	252323GR	!
F9401 or	FUSE	3.15A-T/UL-ST2	(1)	252256GR	!
F9402	FUSE	3.15A-UL/T-233	1	252323GR	!
F9402 or	FUSE	3.15A-T/UL-ST2	(1)	252256GR	!

<MDC> : 120V,Canadian model  
 <MMP> : 230V,CE(European) country model  
 <MMR> : 220/230-240V,Chinese model

## 2. Safety check out

(U.S.A. model only)

After correcting the original service problem, perform the following safety check before releasing the unit to the customer.

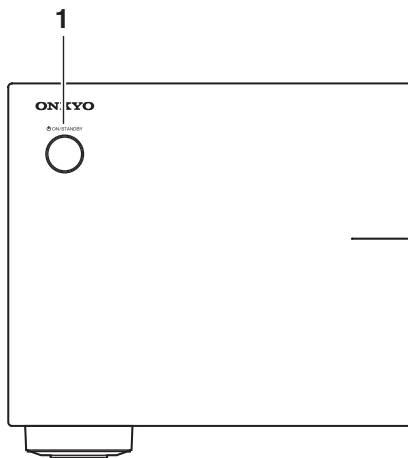
Leakage current Check

Measure the leakage current to a known earth ground (water pipe or conduct etc.) by connecting a leakage current tester between the earth ground and exposed metal parts of the unit (input/output ground terminals, screw heads or metal overlays etc.). Plug the power supply cord directly into a 120Vac 60Hz wall socket and turn ON/STANDBY button on.

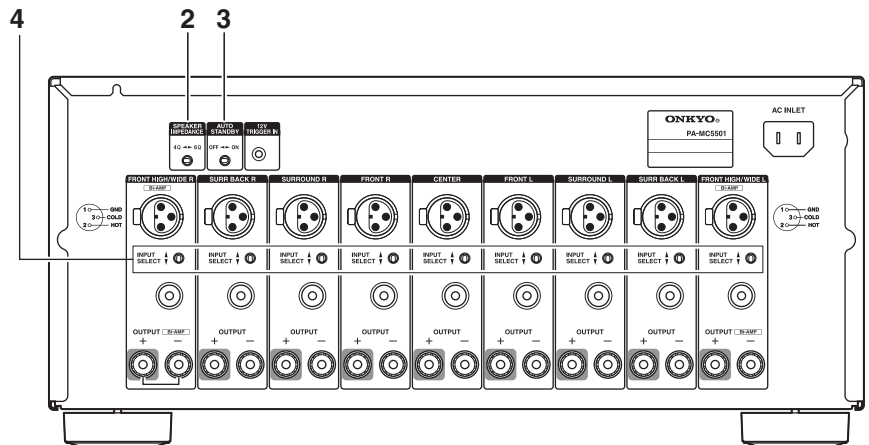
Any current measured must not exceed 0.5mA.

## 3. Initial setting for shipping

- ON/STANDBY ————— ON (Pull out the power cord at power on stage)
- SPEAKER IMPEDANCE ——— 6 ohm
- AUTO STANDBY ————— MMP : ON  
 Others : OFF
- INPUT SELECT ————— Unbalance ▼



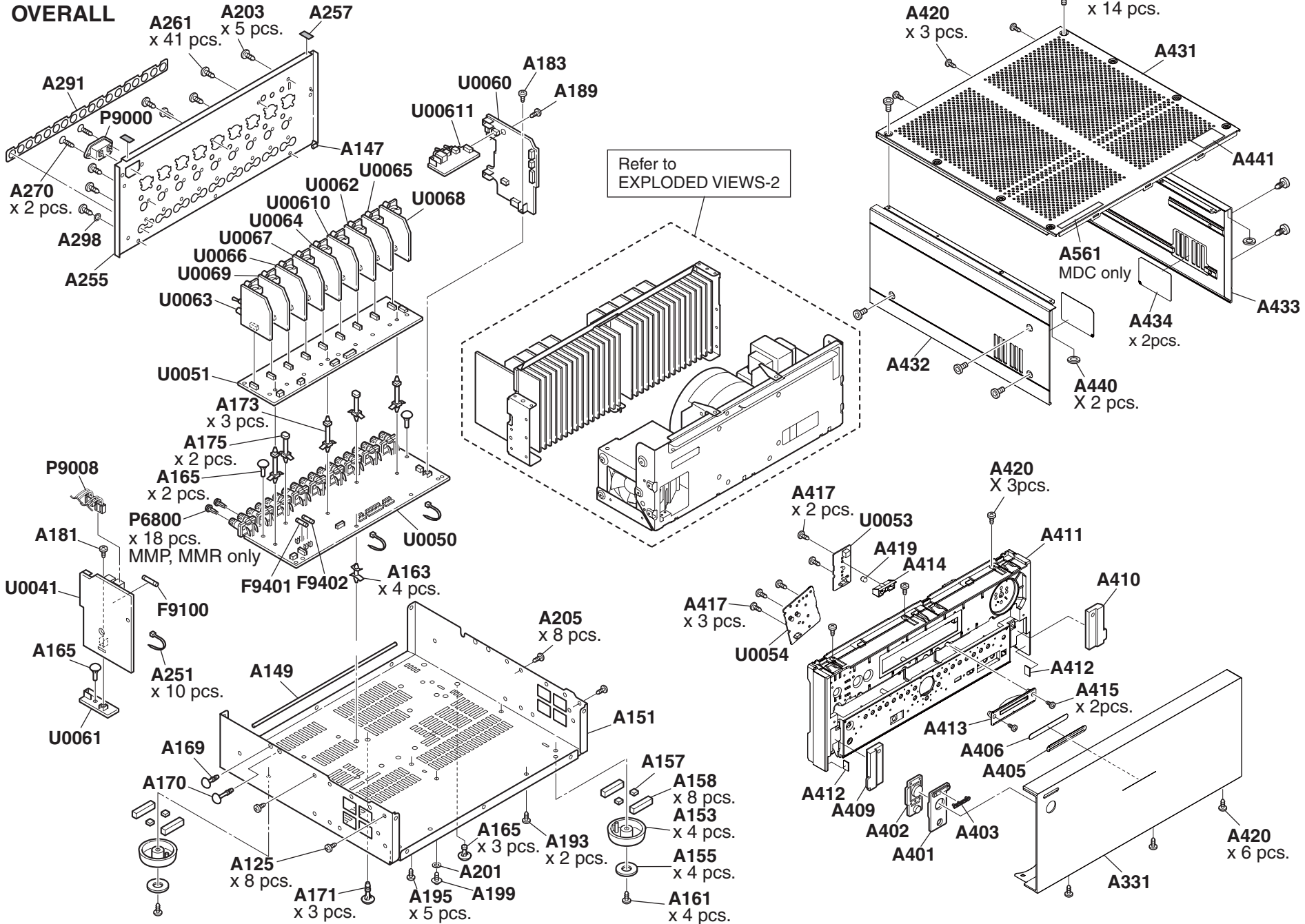
Front



Rear

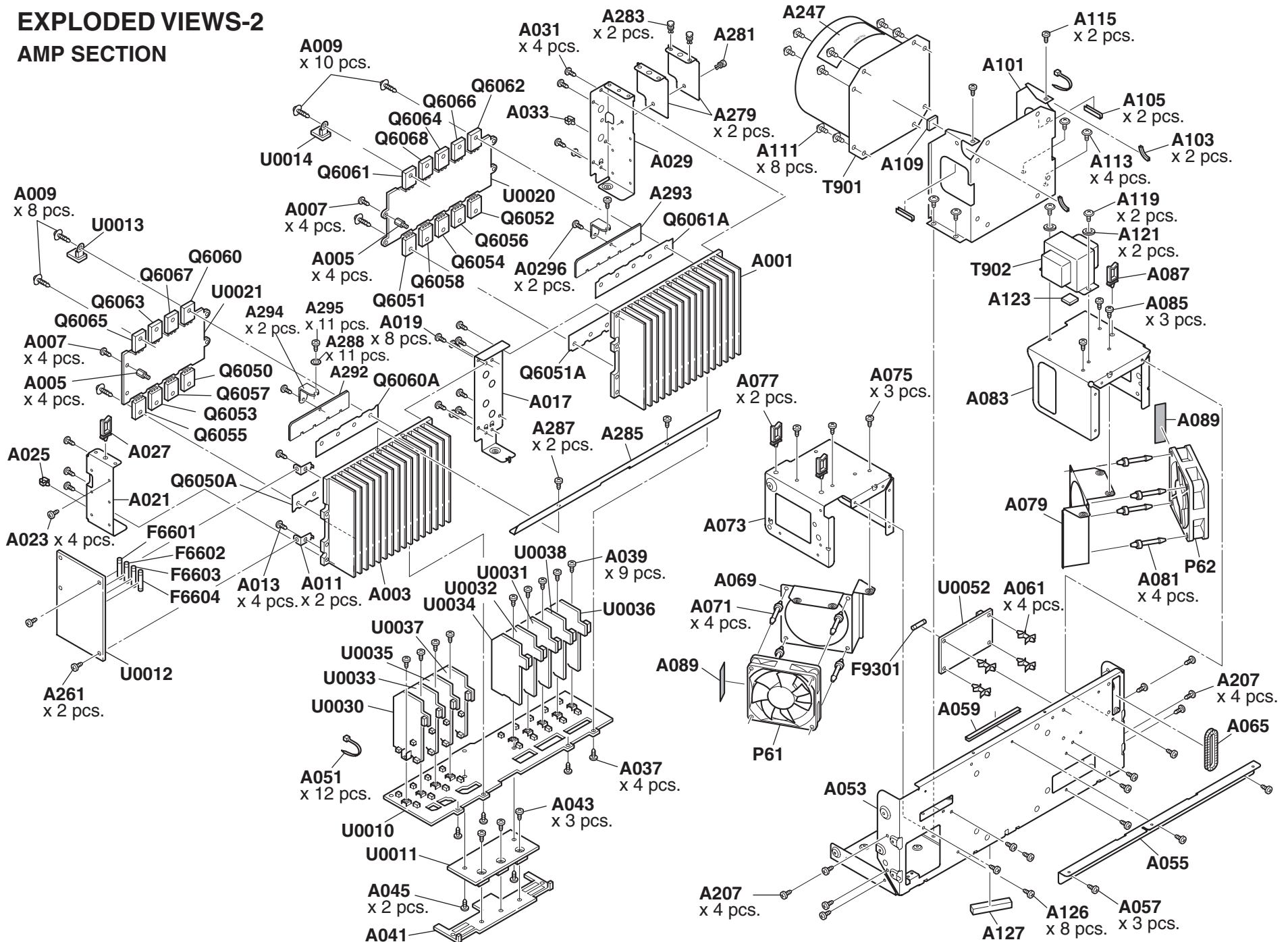
# EXPLODED VIEWS-1

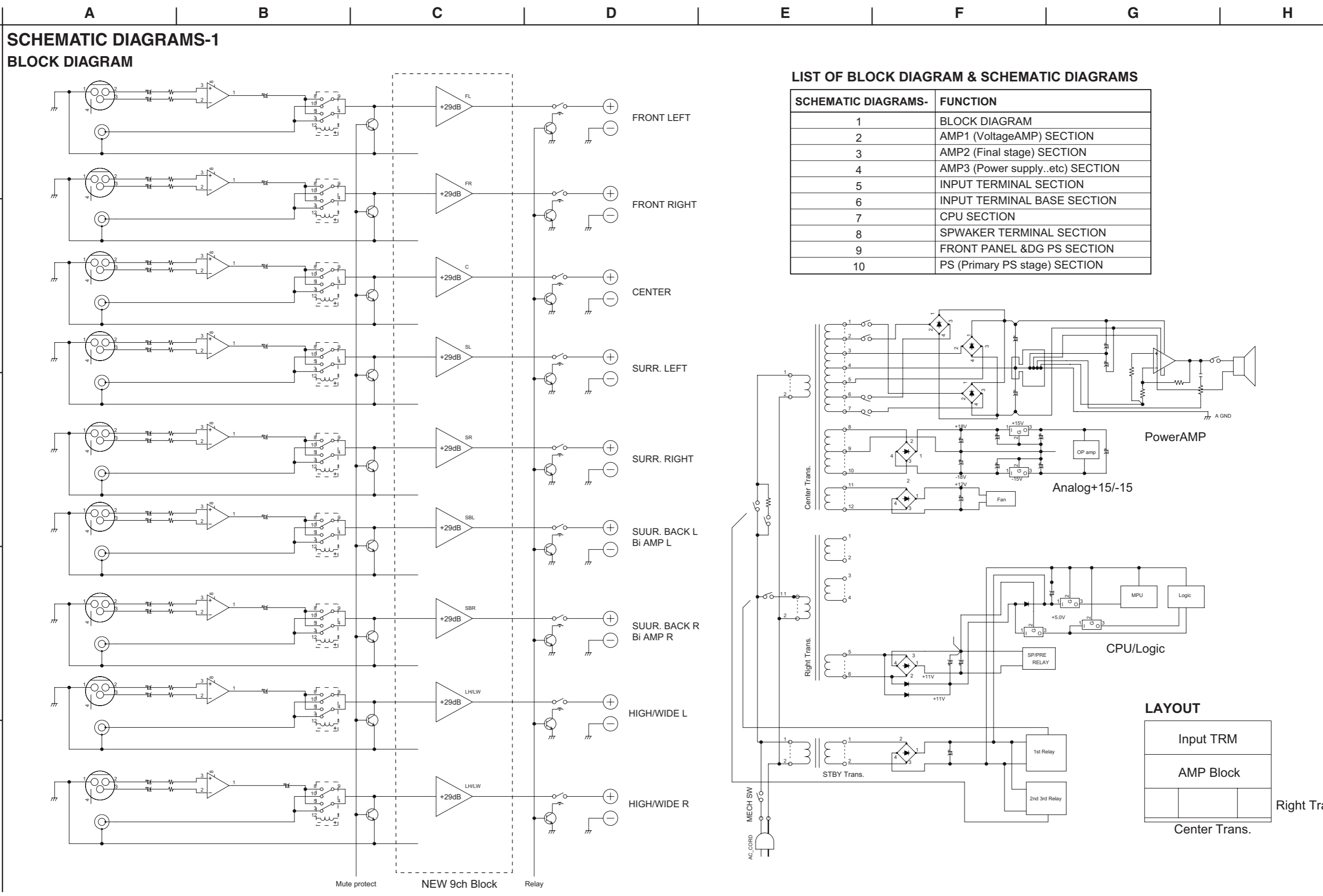
## OVERALL



# EXPLODED VIEWS-2

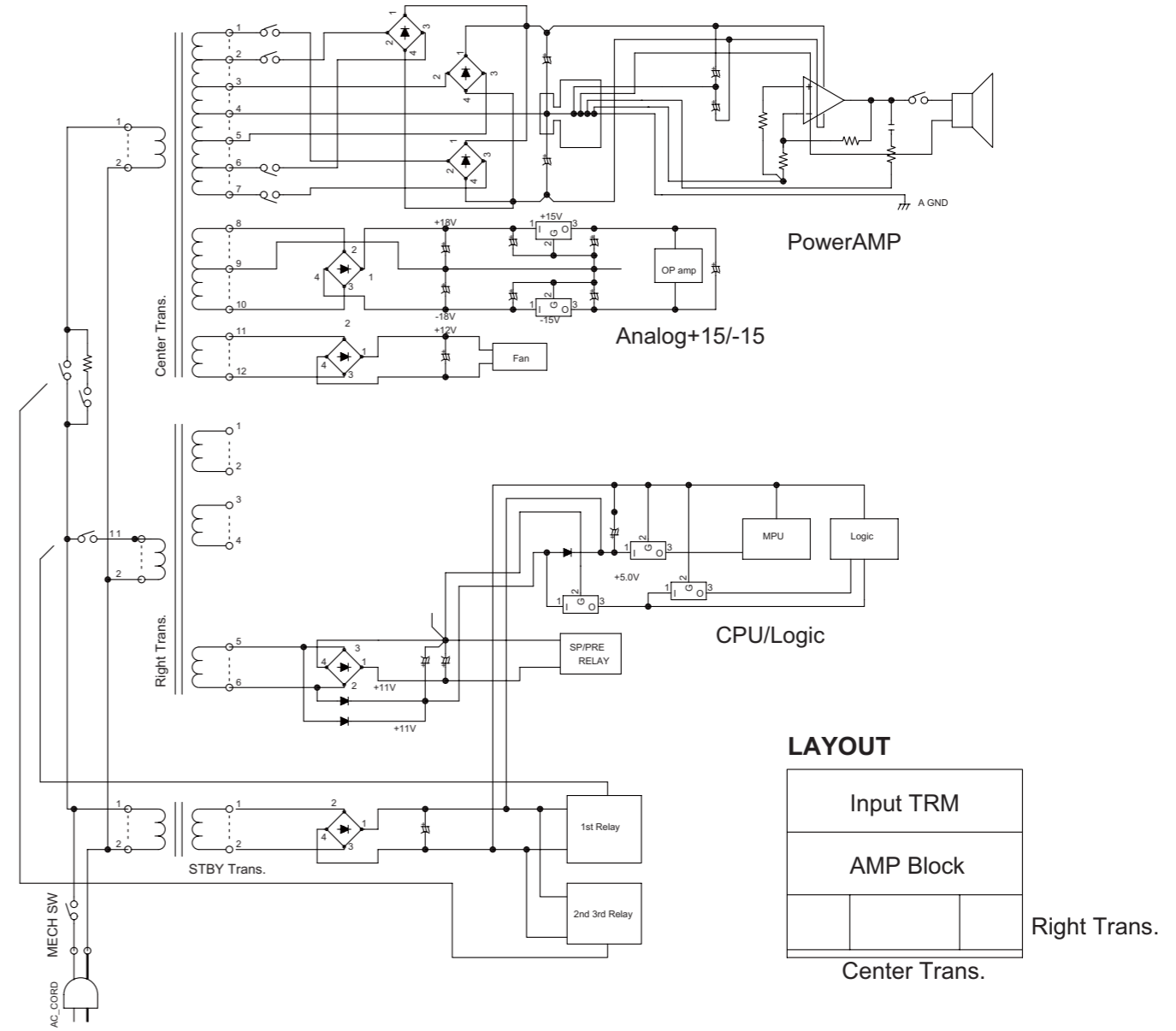
## AMP SECTION





LIST OF BLOCK DIAGRAM & SCHEMATIC DIAGRAMS

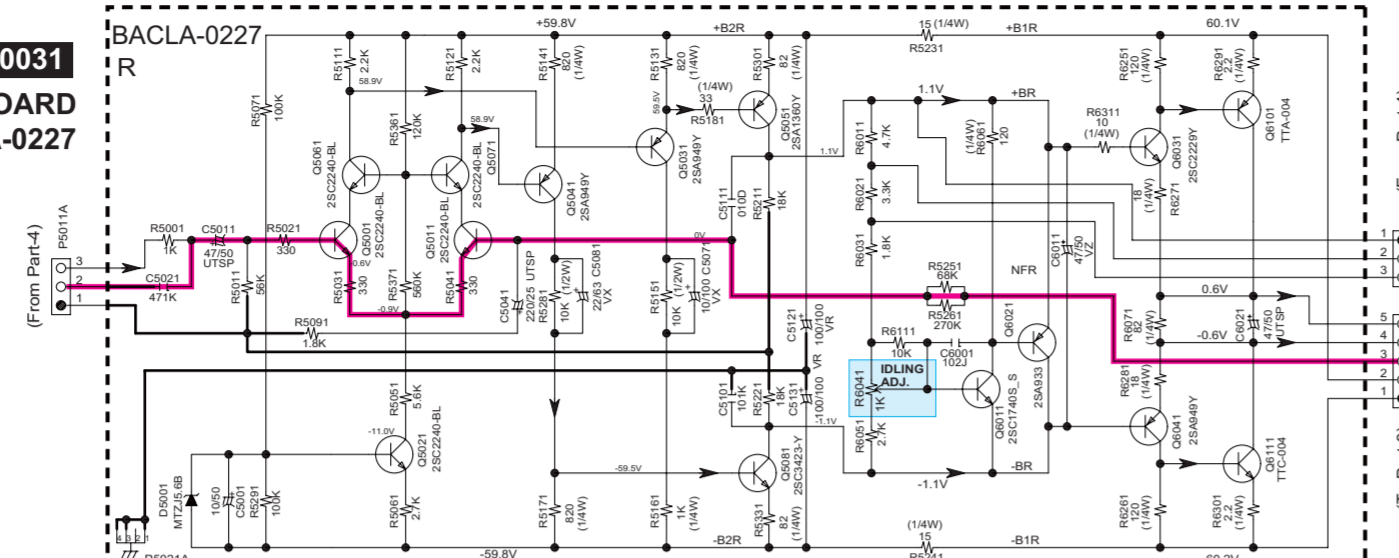
SCHEMATIC DIAGRAMS-	FUNCTION
1	BLOCK DIAGRAM
2	AMP1 (VoltageAMP) SECTION
3	AMP2 (Final stage) SECTION
4	AMP3 (Power supply..etc) SECTION
5	INPUT TERMINAL SECTION
6	INPUT TERMINAL BASE SECTION
7	CPU SECTION
8	SPWAKER TERMINAL SECTION
9	FRONT PANEL & DG PS SECTION
10	PS (Primary PS stage) SECTION



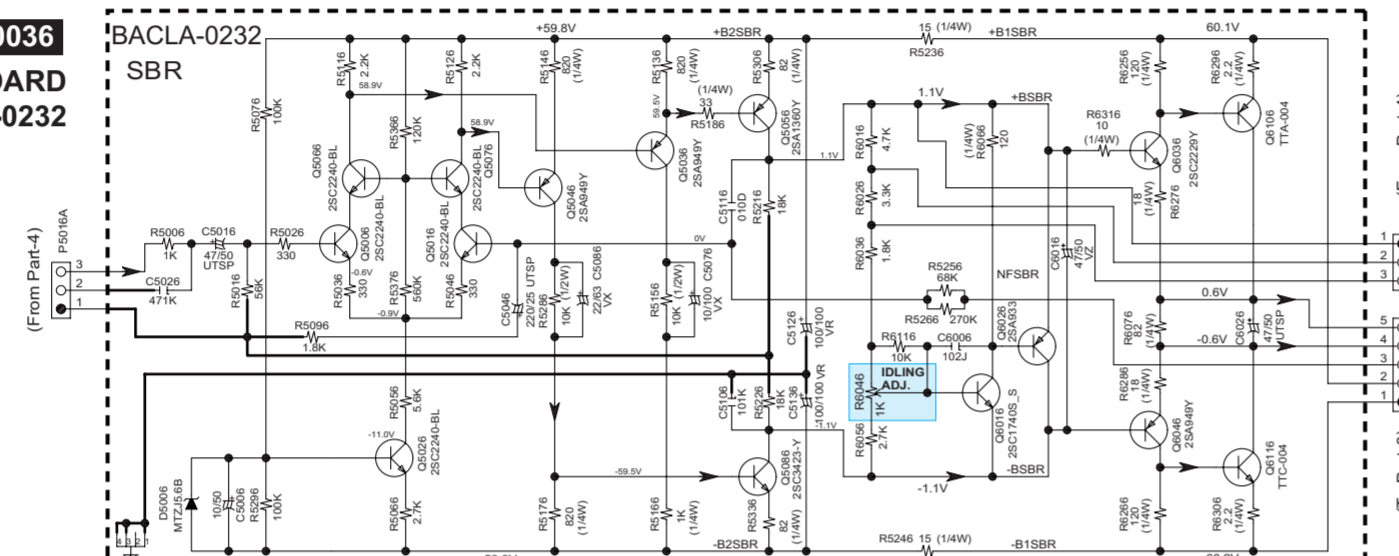
SCHEMATIC DIAGRAMS-2  
AMP-1 (Voltage AMP) SECTION

1  
2  
3  
4  
5  
6  
7  
8

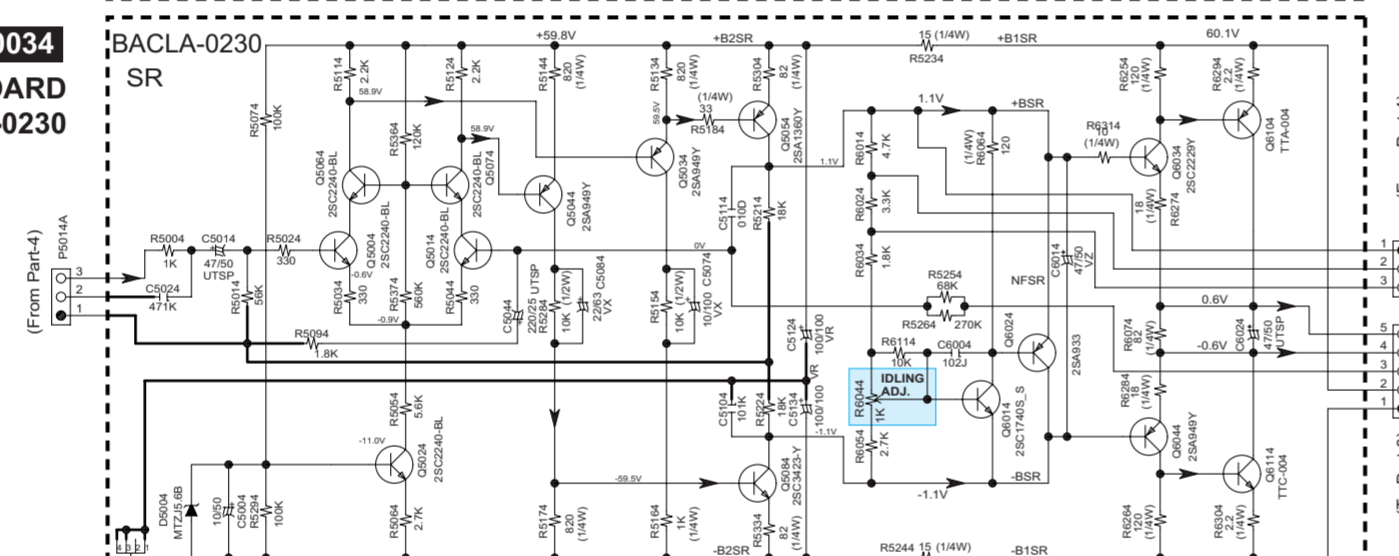
**U0031**  
VOLTAGE AMP PC BOARD  
BACLA-0227



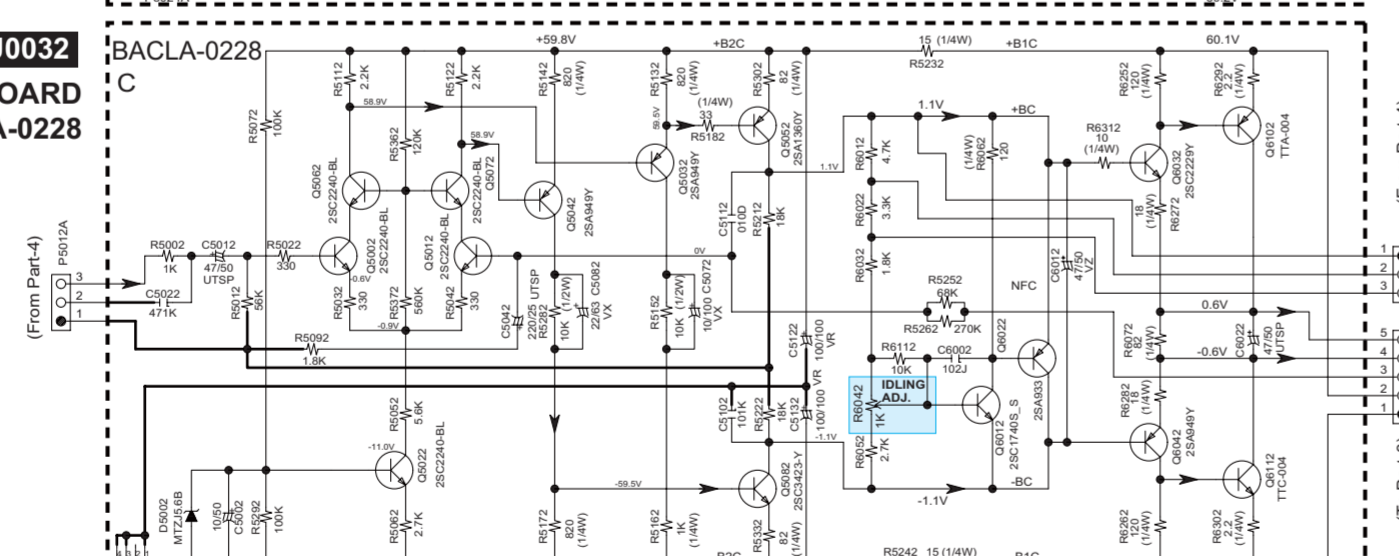
**U0036**  
VOLTAGE AMP PC BOARD  
BACLA-0232



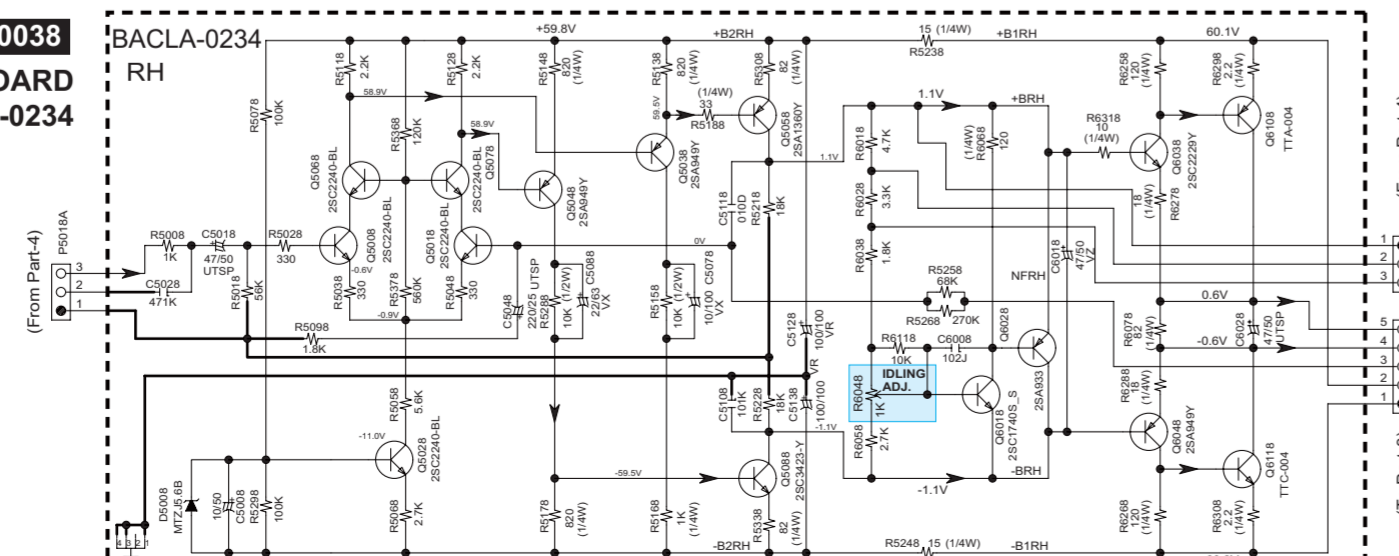
**U0034**  
VOLTAGE AMP PC BOARD  
BACLA-0230



**U0032**  
VOLTAGE AMP PC BOARD  
BACLA-0228



**U0038**  
VOLTAGE AMP PC BOARD  
BACLA-0234

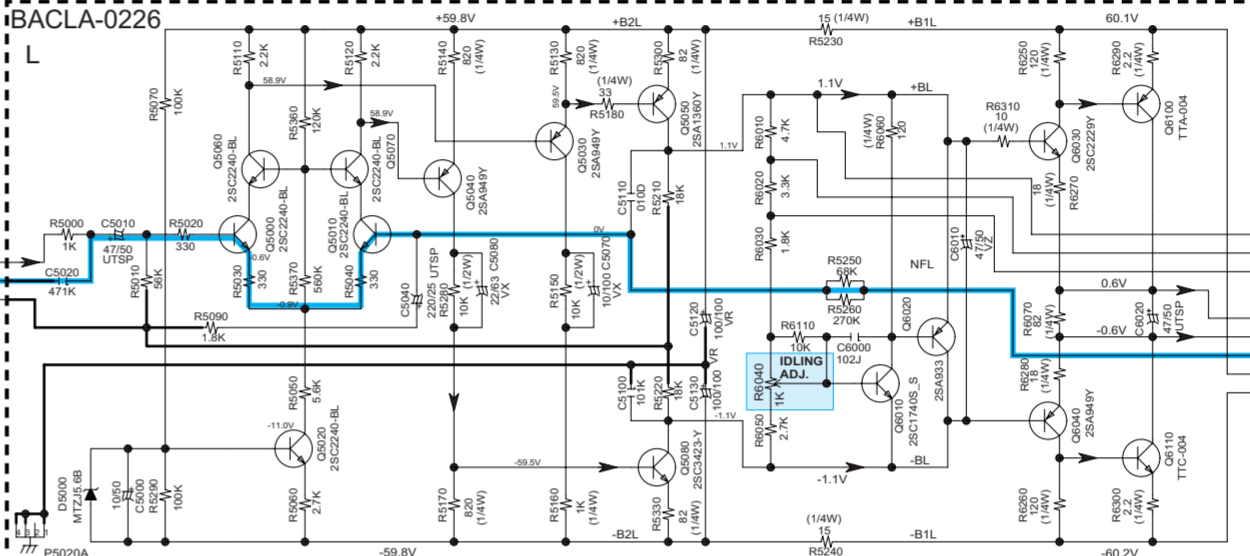


**ADJUSTMENT OF IDLING CURRENT**  
<Notes>  
1. Set R6040~6048 to minimum position before Power On the unit.  
2. Equip series 1/4W 100-ohm resistors near the terminal respectively in the each poles of the jig used for P6070~6078 terminals.  
[Procedure]  
1. Set the voltages at P6070~6078 to 3.0mV by adjusting R6040~6048, under the condition of no input and no load, immediately after Power On the unit.  
2. Re-adjust by following procedure after 4~6 minutes of heat running.

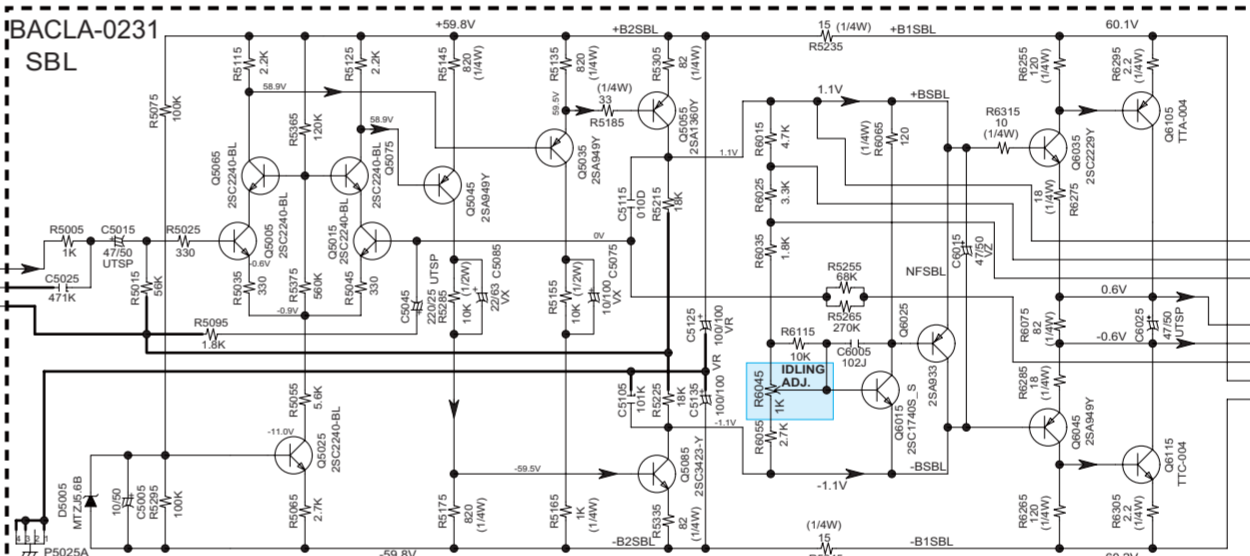
	L / C / R / SL / SR / SBL / SBR / LH / RH	
Below 3mV	→	3mV
Between 3~4mV	→	Leave it as it is.
Over 4mV	→	4mV

**アイドリング電流の調整**  
<Notes>  
1. R6040~6048はPOWER ON前に、左に回して最小の位置にしておく。  
2. P6070~6078端子に接続するジグ端子の高程には、端子近傍にそれぞれ100Ω 1/4Wの抵抗をシリーズに入れること。  
[手順]  
1. 無負荷・無信号にてPower On直後、P6070~6078の高端電圧をR6040~6048にて3.0mVに設定する。  
2. 約4~6分間のヒートラン後、下記手順で再調整する。

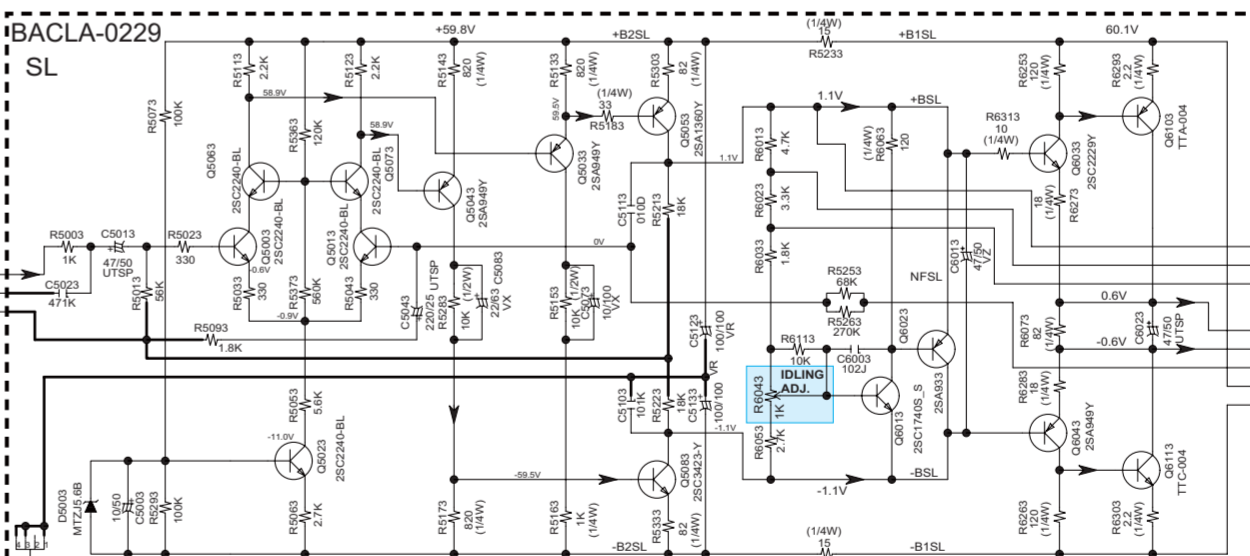
	L / C / R / SL / SR / SBL / SBR / LH / RH	
3mV 未満の場合	→	3mV
3~4mVの場合	→	そのまま
4mV より大きい場合	→	4mV



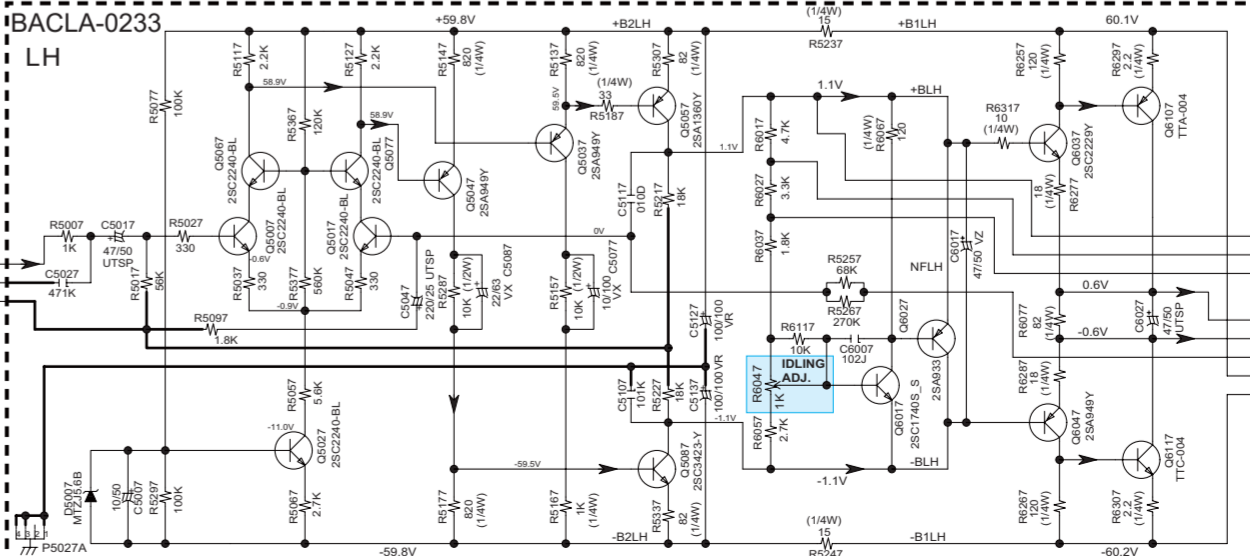
**U0030**  
VOLTAGE AMP PC BOARD  
BACLA-0226



**U0035**  
VOLTAGE AMP PC BOARD  
BACLA-0231



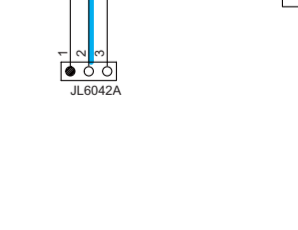
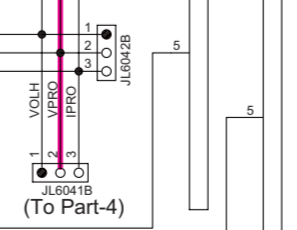
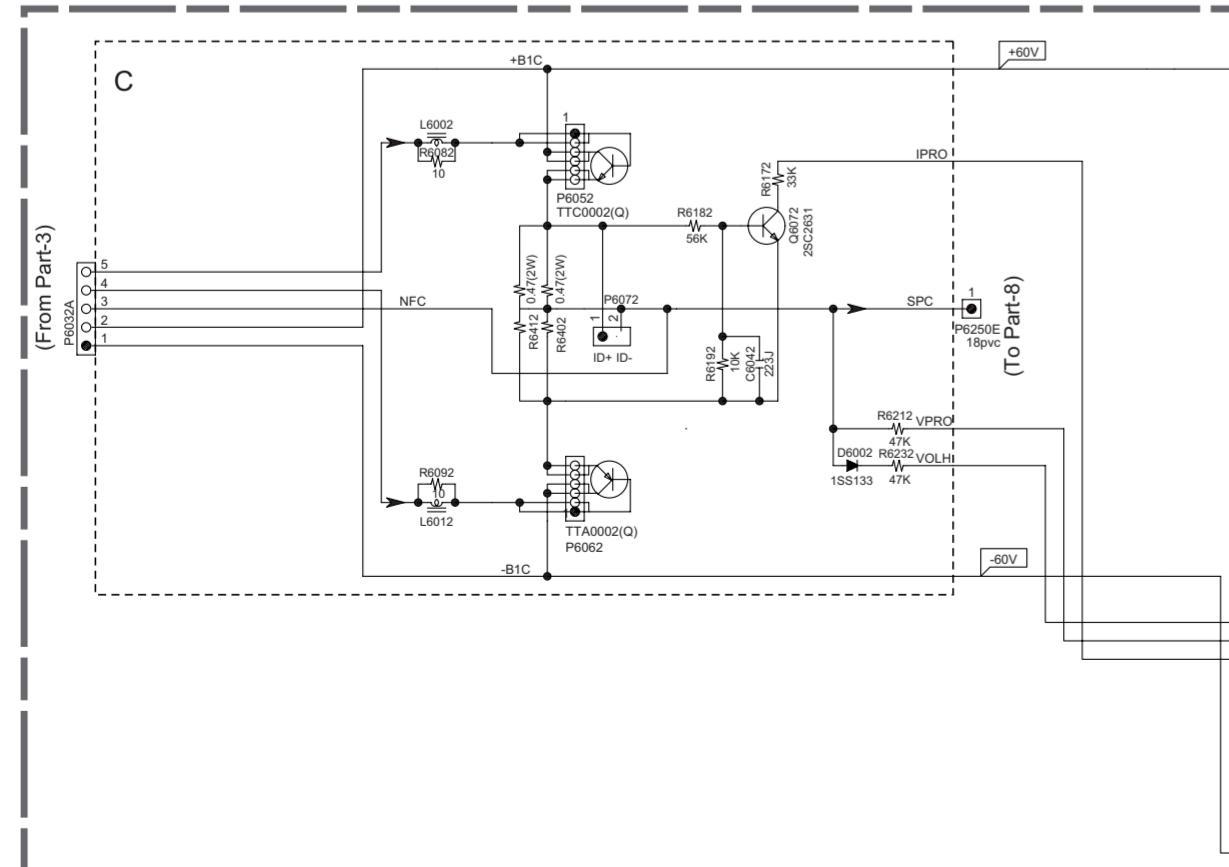
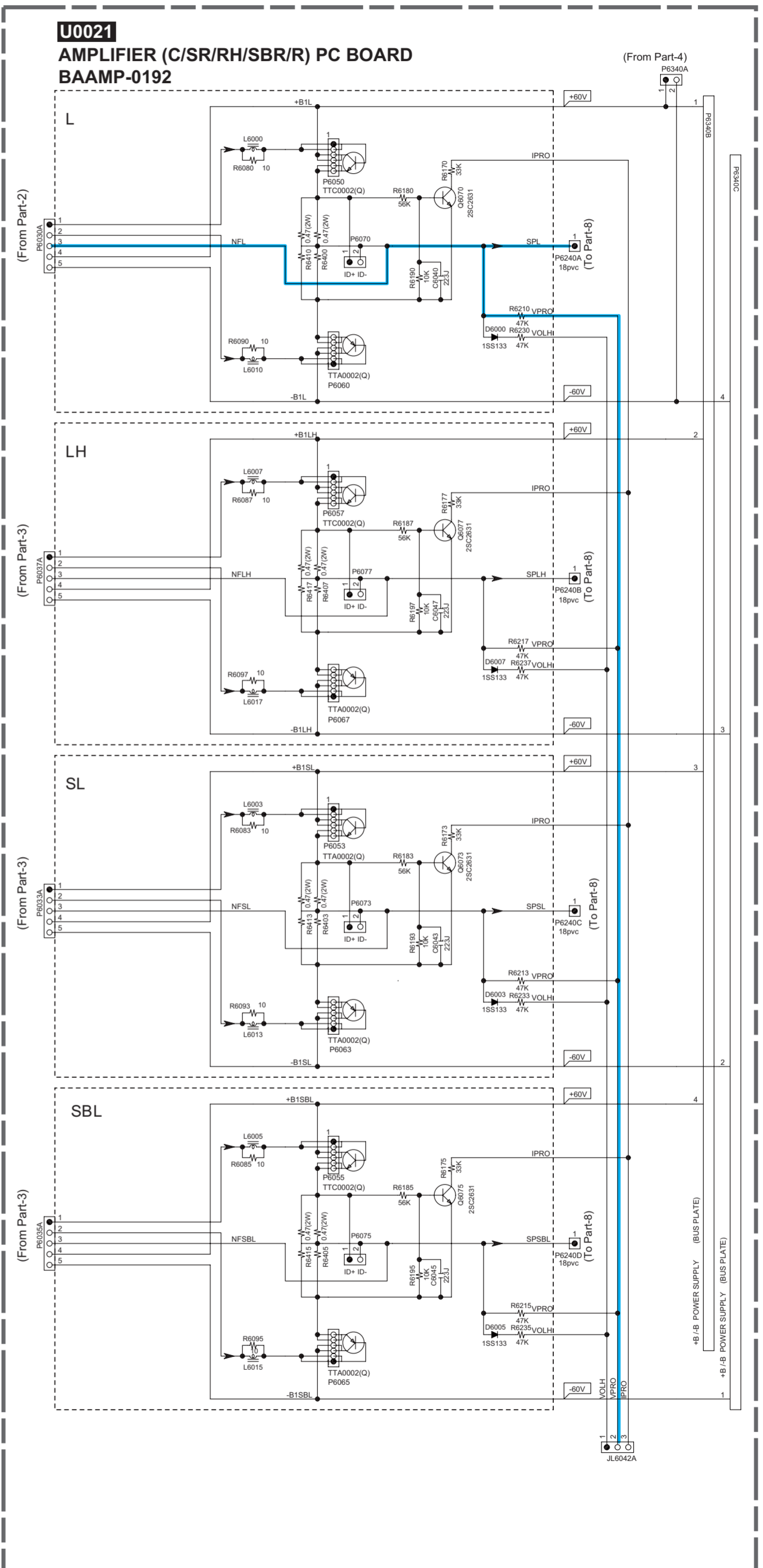
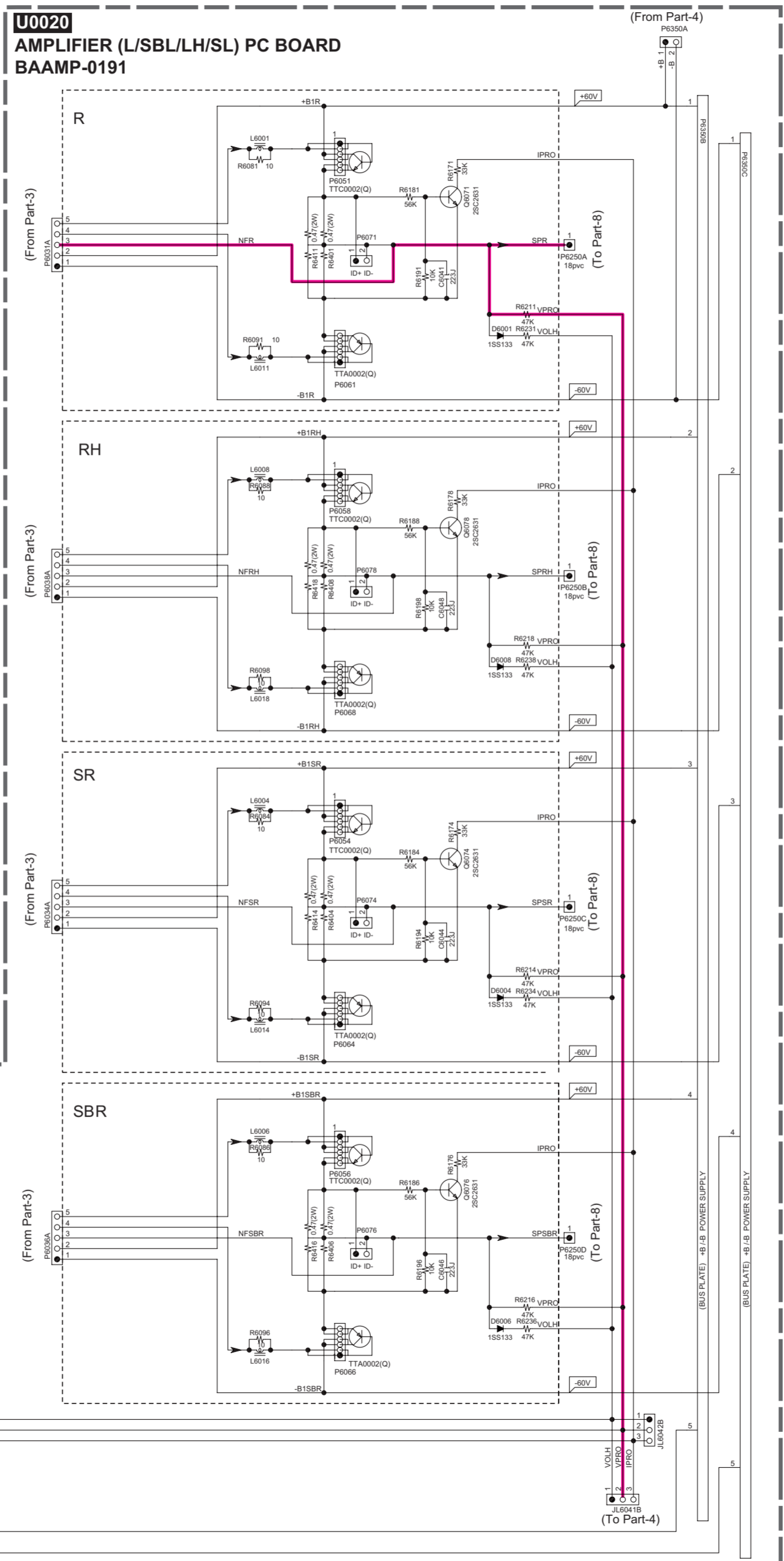
**U0033**  
VOLTAGE AMP PC BOARD  
BACLA-0229



**U0037**  
VOLTAGE AMP PC BOARD  
BACLA-0233

SCHEMATIC DIAGRAMS-3  
AMP 2 (Final Stage AMP) SECTION

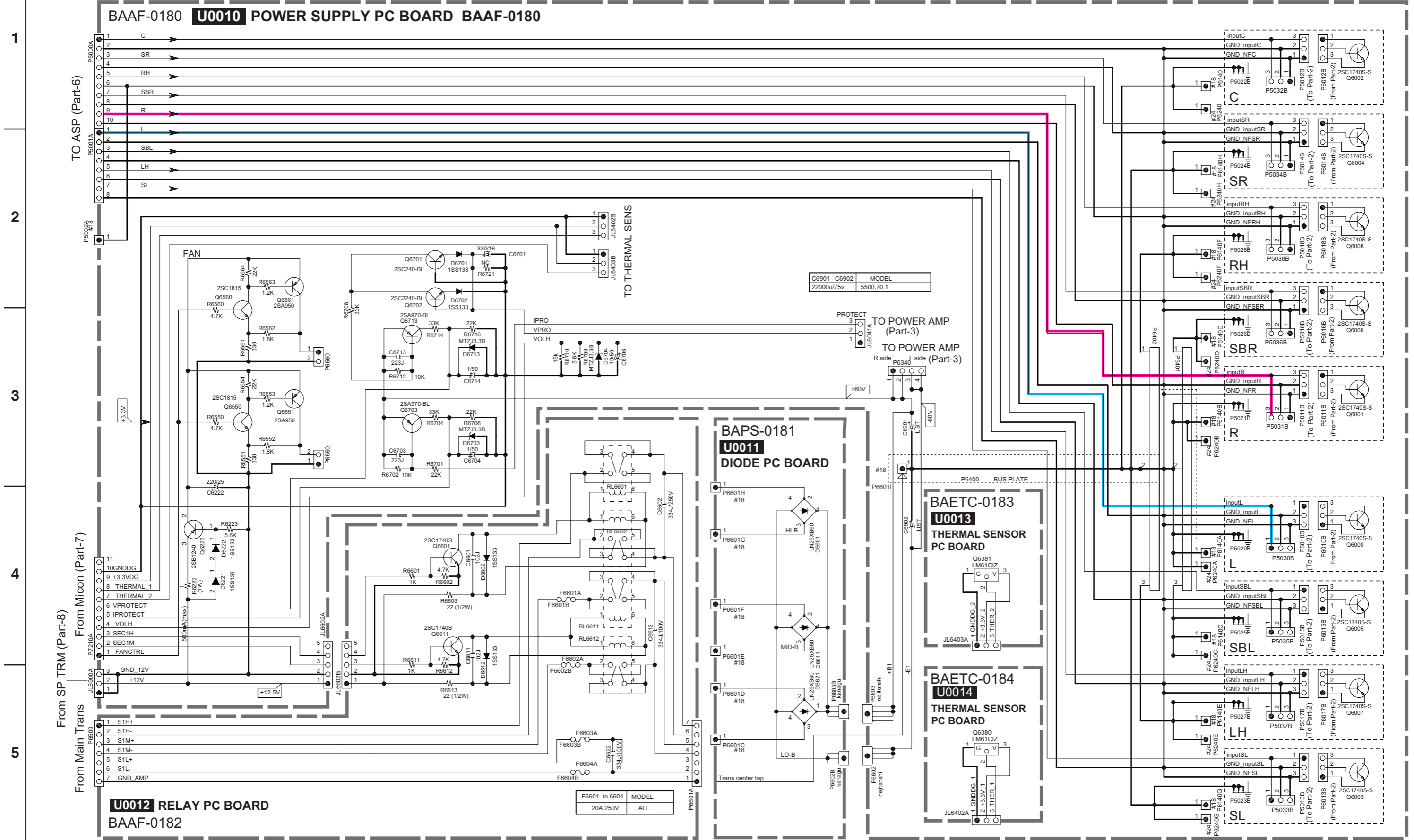
1  
2  
3  
4  
5  
6  
7  
8



(BUS PLATE) -B1-B POWER SUPPLY

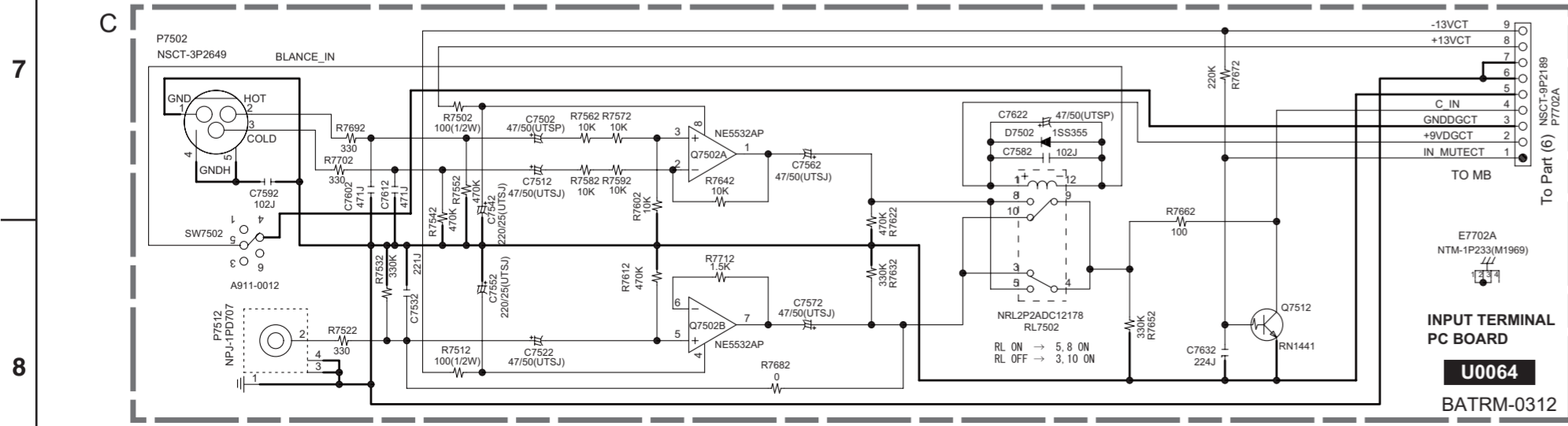
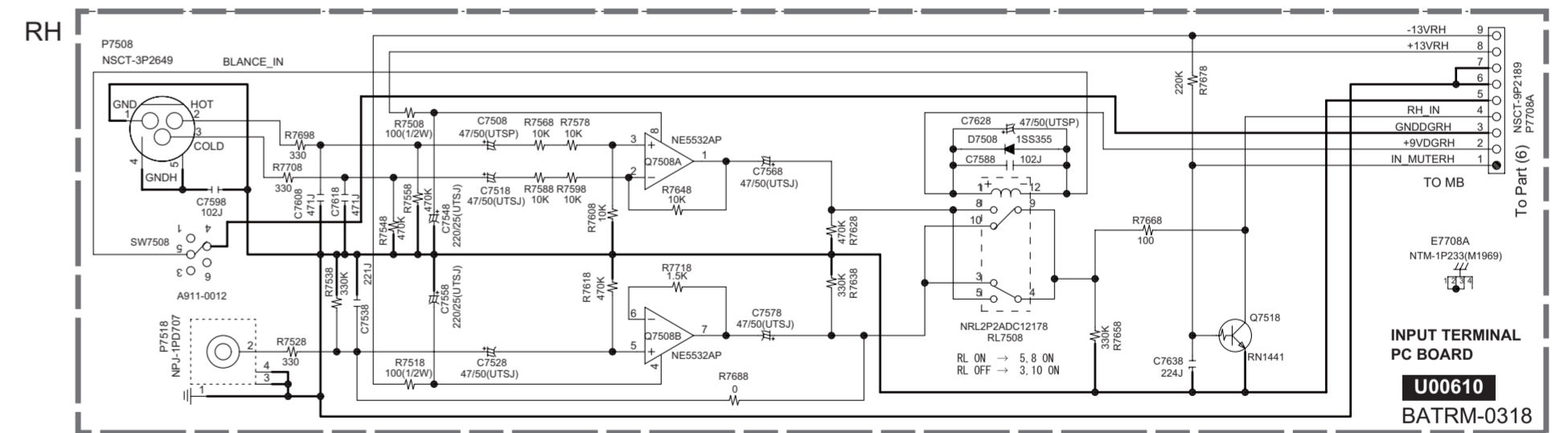
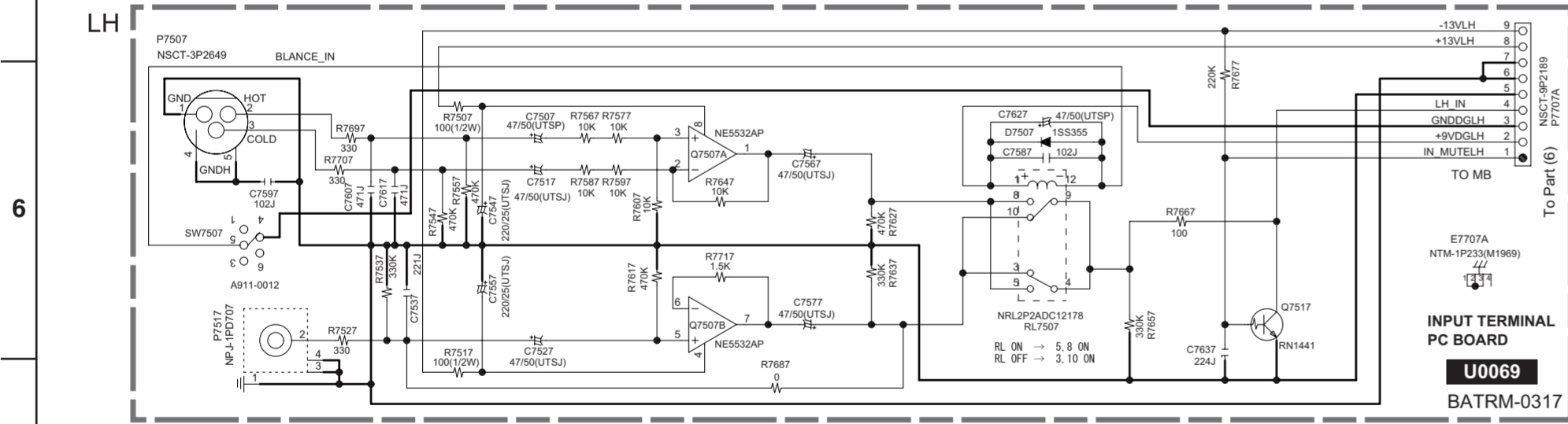
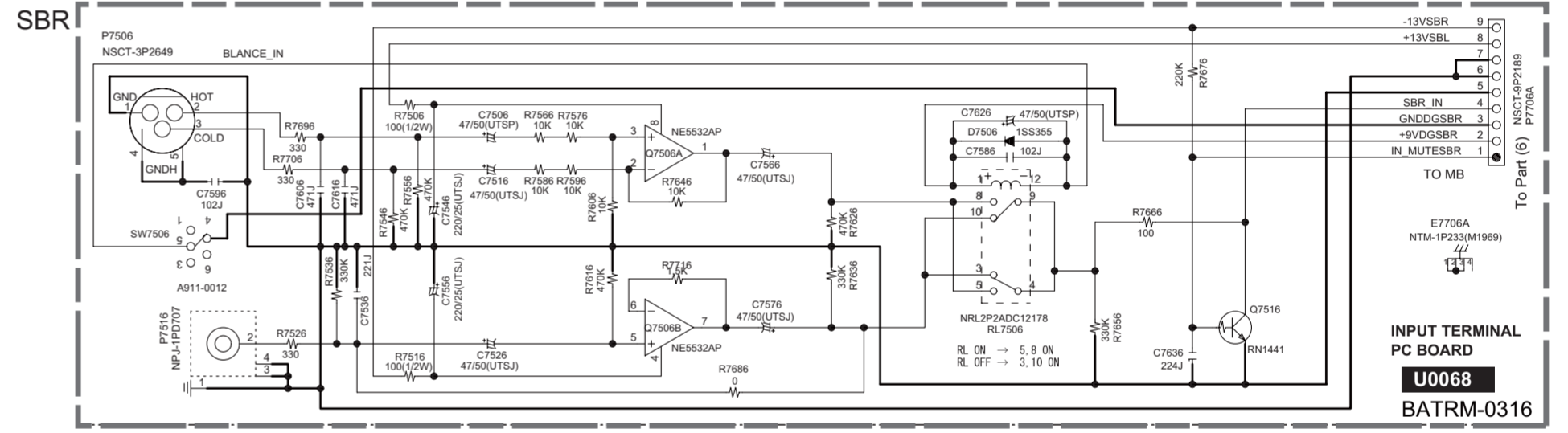
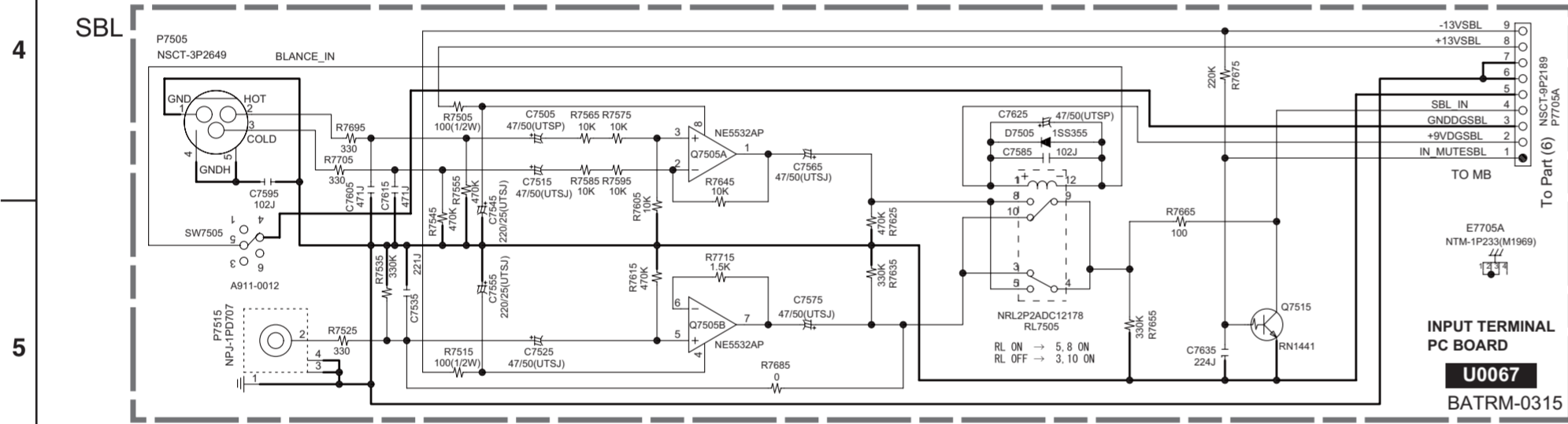
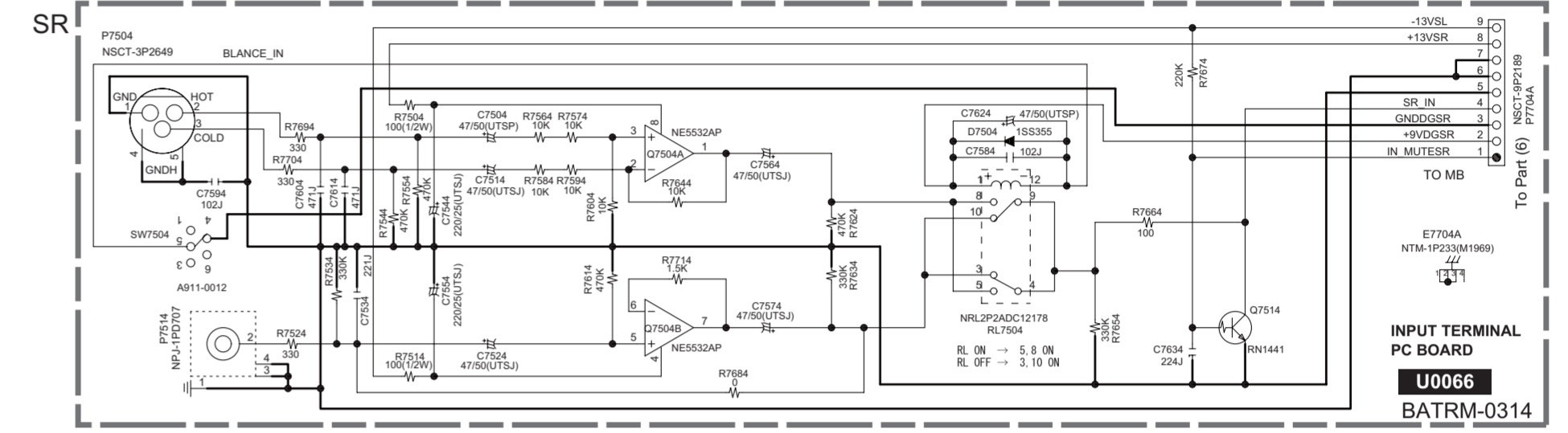
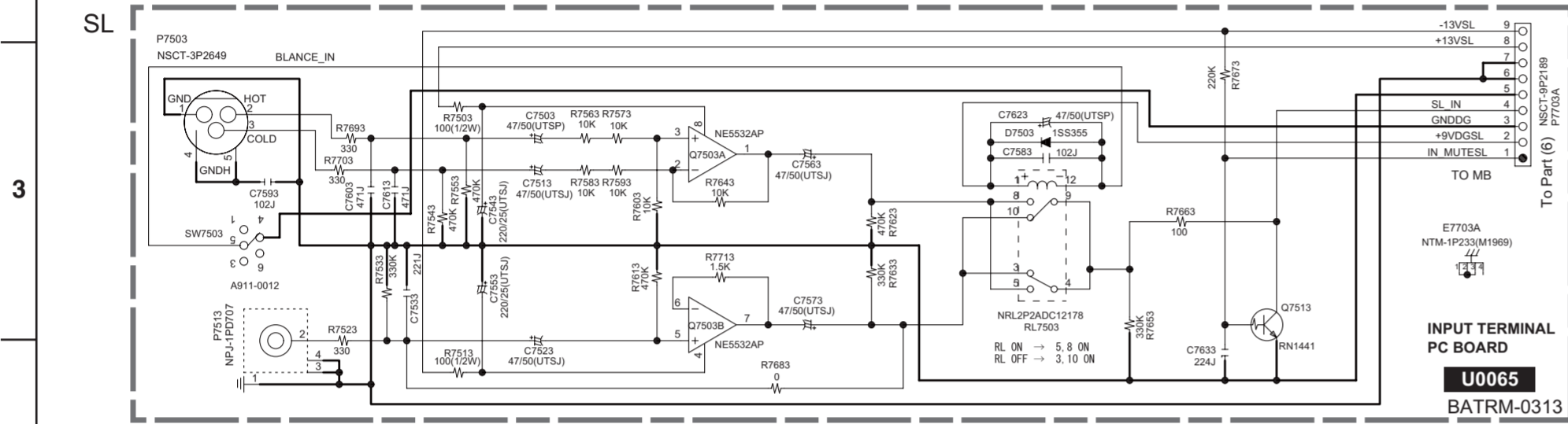
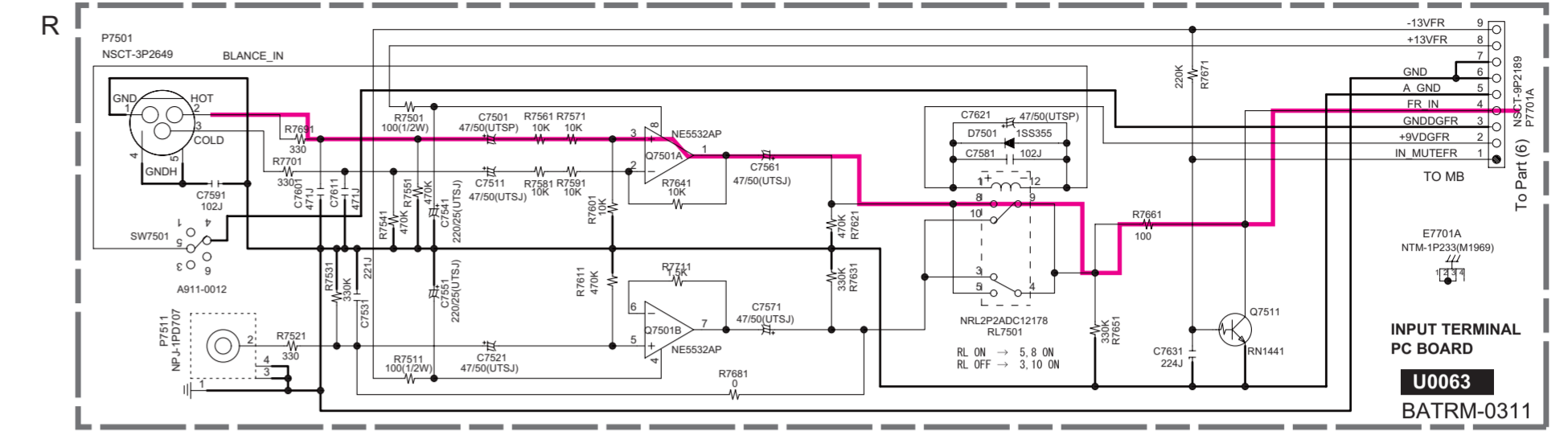
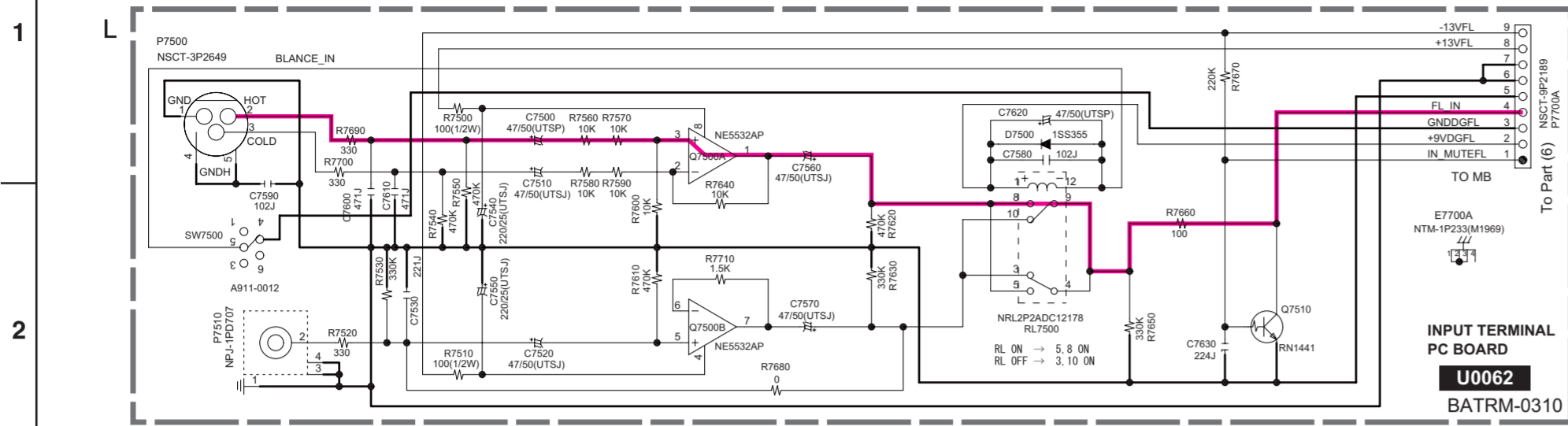
(BUS PLATE) -B1-B POWER SUPPLY

# SCHEMATIC DIAGRAMS-4 AMP 4 (Power supply, Protect, etc) SECTION





SCHEMATIC DIAGRAMS-5  
INPUT TERMINAL SECTION



# SCHEMATIC DIAGRAMS-6 INPUT TERMINAL (CONNECTOR) SECTION

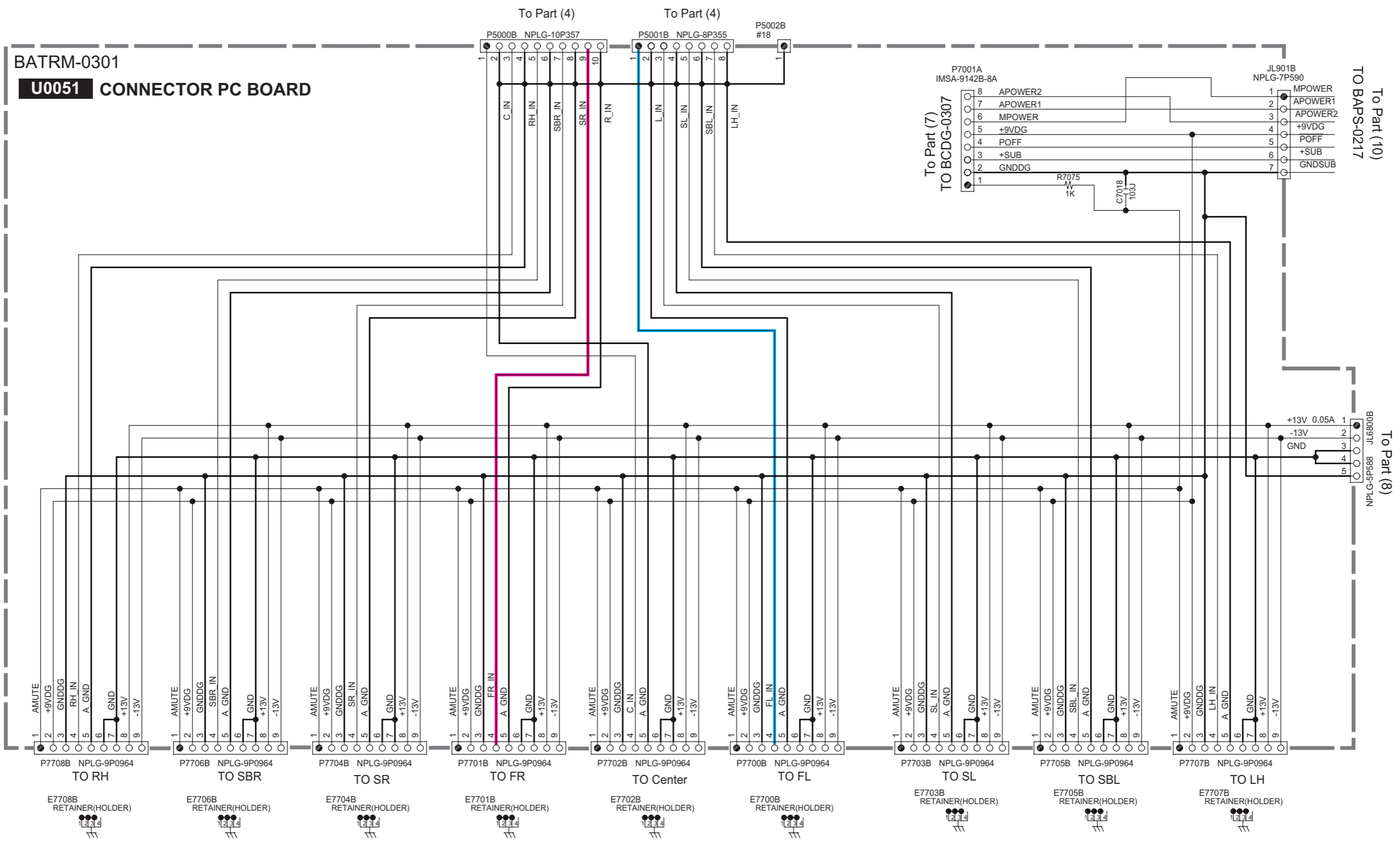
1

2

3

4

5



# SCHEMATIC DIAGRAMS-7 CPU SECTION

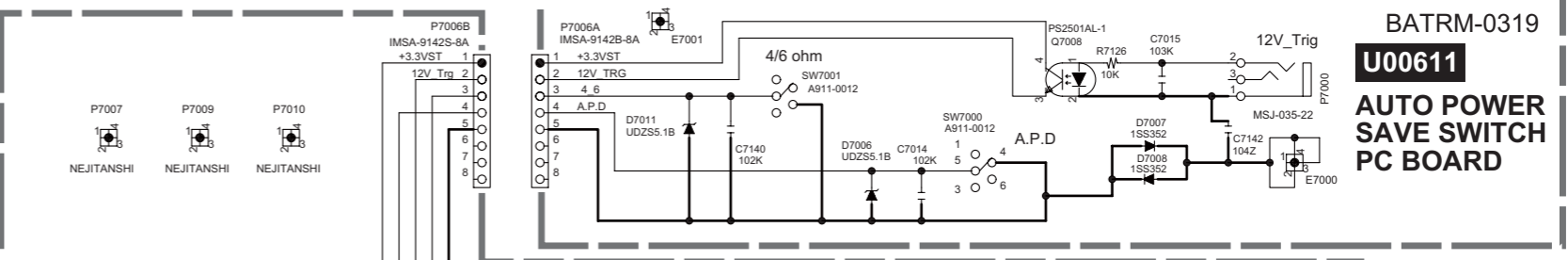
1

2

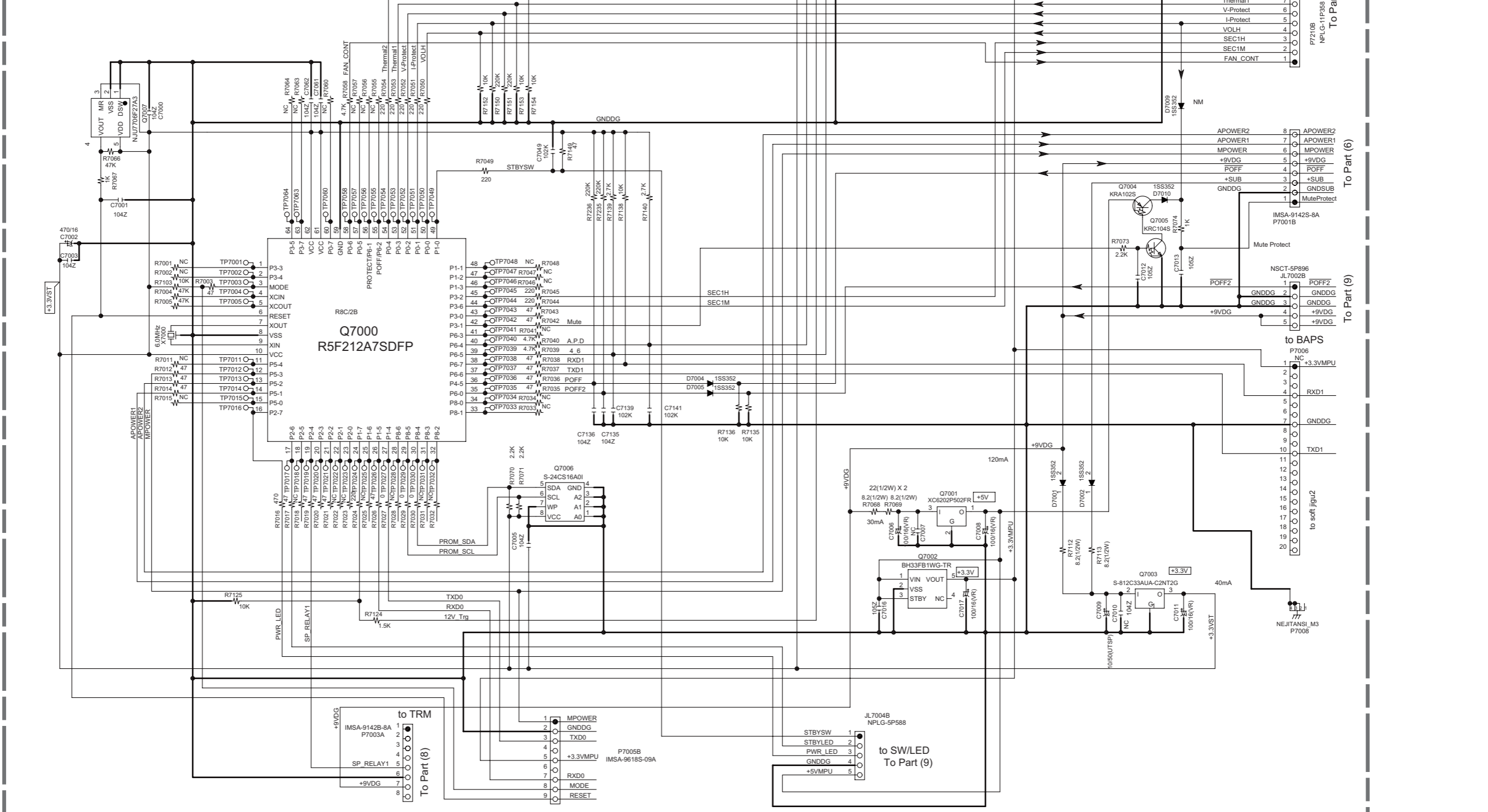
3

4

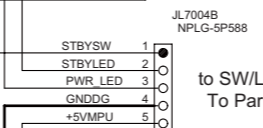
5



## BADG-0307 U0060 CPU PC BOARD

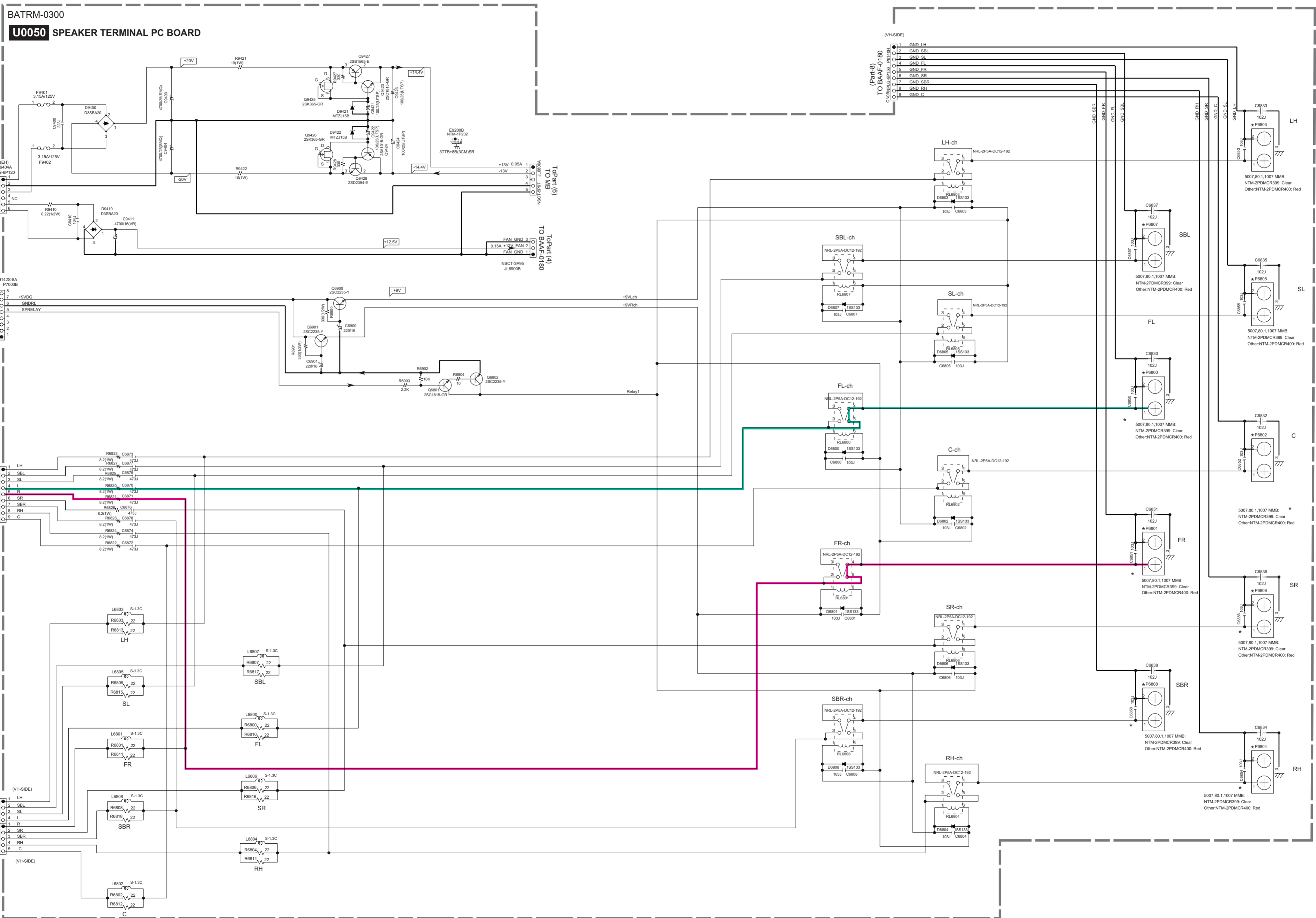


## BATRM-0319 U0061 AUTO POWER SAVE SWITCH PC BOARD



SCHEMATIC DIAGRAMS-8  
SPEAKER TERMINAL SECTION

1  
2  
3  
4  
5  
6  
7  
8

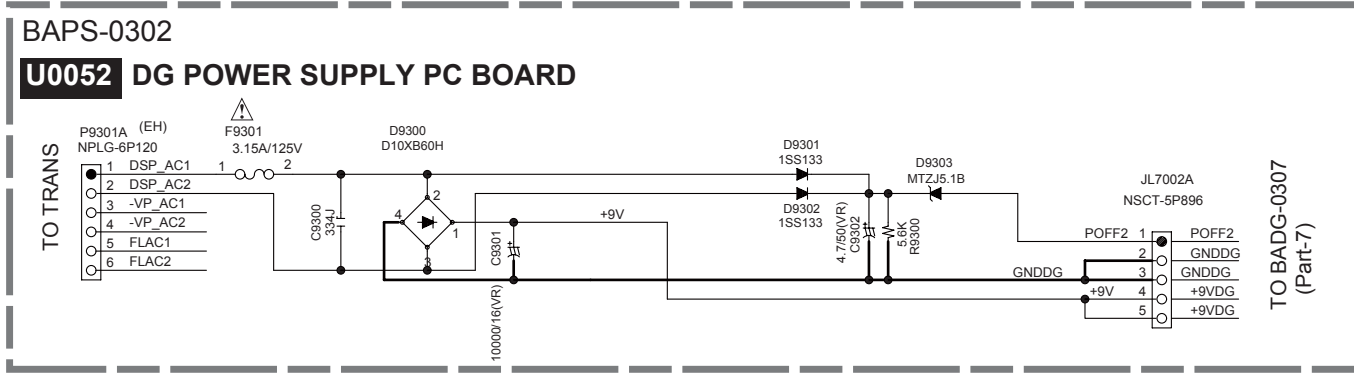


A B C D E

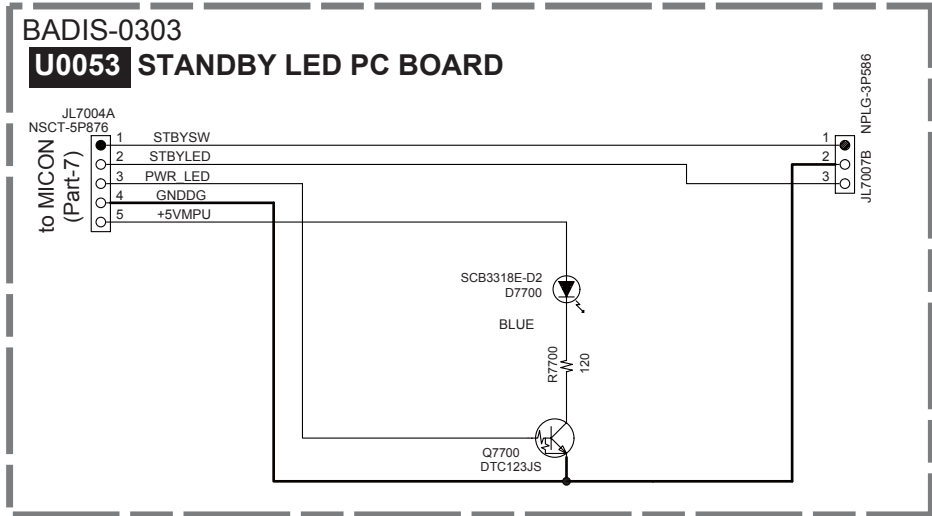
**SCHEMATIC DIAGRAMS-9**  
**STANDBY SWITCH, LED, ETC. SECTION**

1

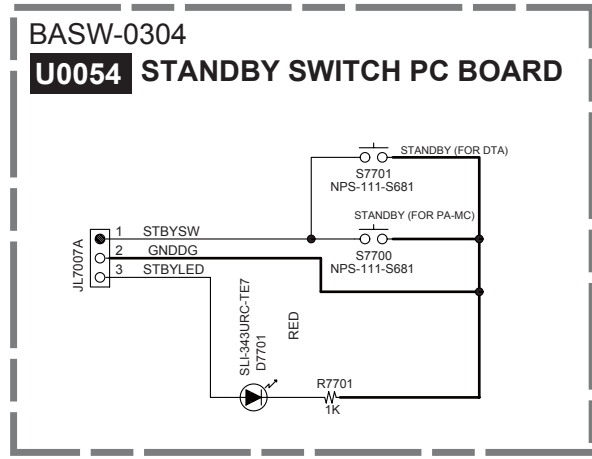
2



3



4



**SCHEMATIC DIAGRAMS-10**  
**PRIMARY POWER SUPPLY SECTION**

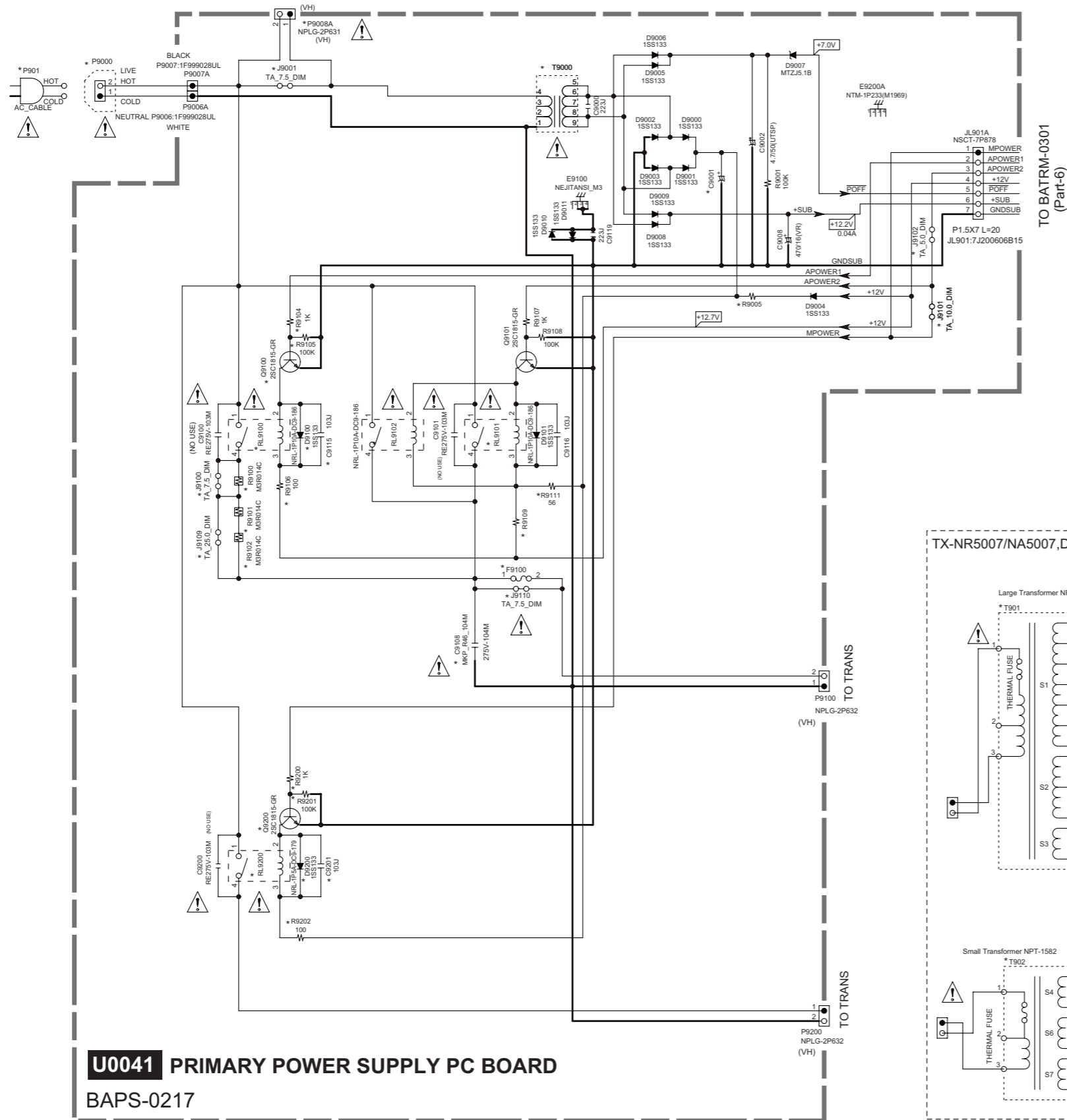
1

2

3

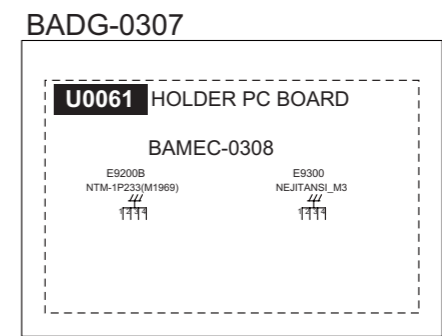
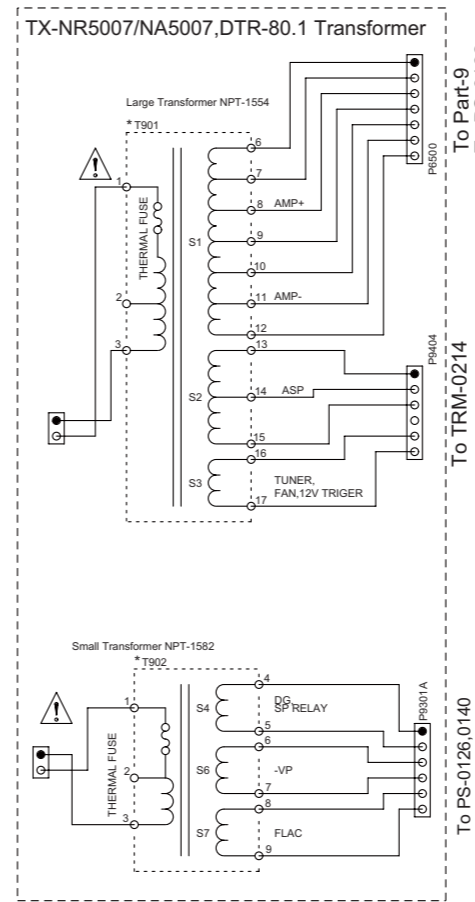
4

5



	D type	M type
C9108	Except J type	Except J type
C9115	○	○
C9201	○	○
D9100	○	○
D9200	○	○
J9001	x	x
J9100	x	x
J9101	x	x
J9102	○	○
J9109	x	x
J9110	x	x
P9008A	Except DC, Integra	Except DC, Integra
P9200,9300	○	○
Q9100	○	○
Q9200	○	○
R9005	27	27
R9100-9102	○	○
R9104	○	○
R9105	○	○
R9106	D=100	M=120
R9109	D=47	M=120
R9111	x	x
R9200	○	○
R9201	○	○
R9202	○	○
RL9100	○	○
RL9102	D,J	D,J
RL9200	○	○

T9000  
D:NPT-1520JQ  
M:NPT-1520GO  
  
C9001  
D:2200/25V  
M:2200/16V  
  
F9100  
D:12A-UL-ST6 12A/125V  
M:6.3A-SE-TL250V T6.3AL250V  
J:15A-T-ST6N1 15A/125V



- THE COMPONENTS IDENTIFIED BY MARK ARE CRITICAL FOR SAFETY. REPLACE ONLY WITH PART NUMBER SPECIFIED.
- VOLTAGE(MEASURED WITH VOLTMETER)IS DC VOLTAGE.(NO INPUT SIGNAL)
- ELECTROLYTIC CAPACITORS( )ARE IN  $\mu$  F/WV
- ALL CAPACITORS ARE IN pF/50V/V UNLESS OTHERWISE NOTED.  
EX) 030  $\rightarrow$  3pF 330  $\rightarrow$  33pF 331  $\rightarrow$  330pF 333  $\rightarrow$  0.033  $\mu$  F
- CIRCUIT IS SUBJECT TO CHANGE FOR IMPROVEMENT.

**CAUTION**  
FOR CONTINUED PROTECTION AGAINST FIRE HAZARD, REPLACE ONLY WITH FUSE OF SAME TYPE AND RATING INDICATED.

**ATTENTION**  
CAUTION AFIN D'ASSURER UNE PROTECTION PERMANENTE CONTRE LES RISQUES D'INCENDIE, REMPLACER UNIQUEMENT PAR UN FUSIBLE DE MEME TYPE, ET CALIBRATION COMME INDIQUE.

THIS SYMBOL LOCATED NEAR THE FUSE INDICATES THAT THE FUSE USED IS SLOW OPERATING TYPE FOR CONTINUED PROTECTION AGAINST FIRE HAZARD.REPLACE WITH SAME TYPE FUSE. FOR FUSE RATING REFER TO THE MAKING ADJACENT TO THE SYMBOL.

CE SYMBOLE INDIQUE QUE LE FUSIBLE UTILISE EST A LENT. E POUR UNE PROTECTION PERMANENTE.N'UTILISER QUE DES FUSIBLES DE MEME TYPE. CE DARNIER EST INDIQUE LA OU LE PRESENT SYMBOLE EST APPOSE.

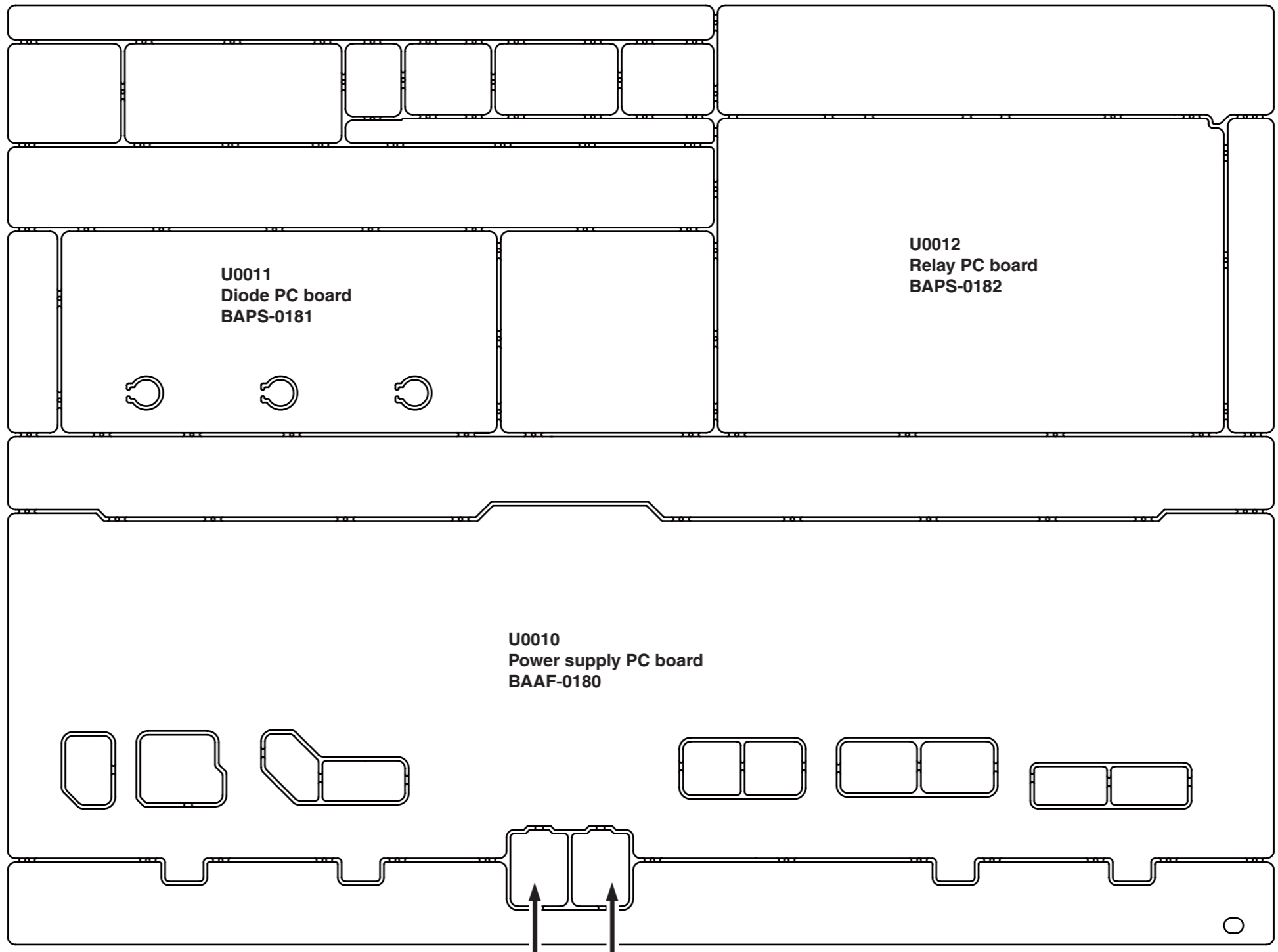
**U0041 PRIMARY POWER SUPPLY PC BOARD**  
BAPS-0217

A B C D E F G H

PRINTED CIRCUIT BOARD VIEWS-1

**U001** BAAF-0180

1  
2  
3  
4  
5



U0014  
Thermal sensor PC board  
BAETC-0184

U0013  
Thermal sensor PC board  
BAETC-0183

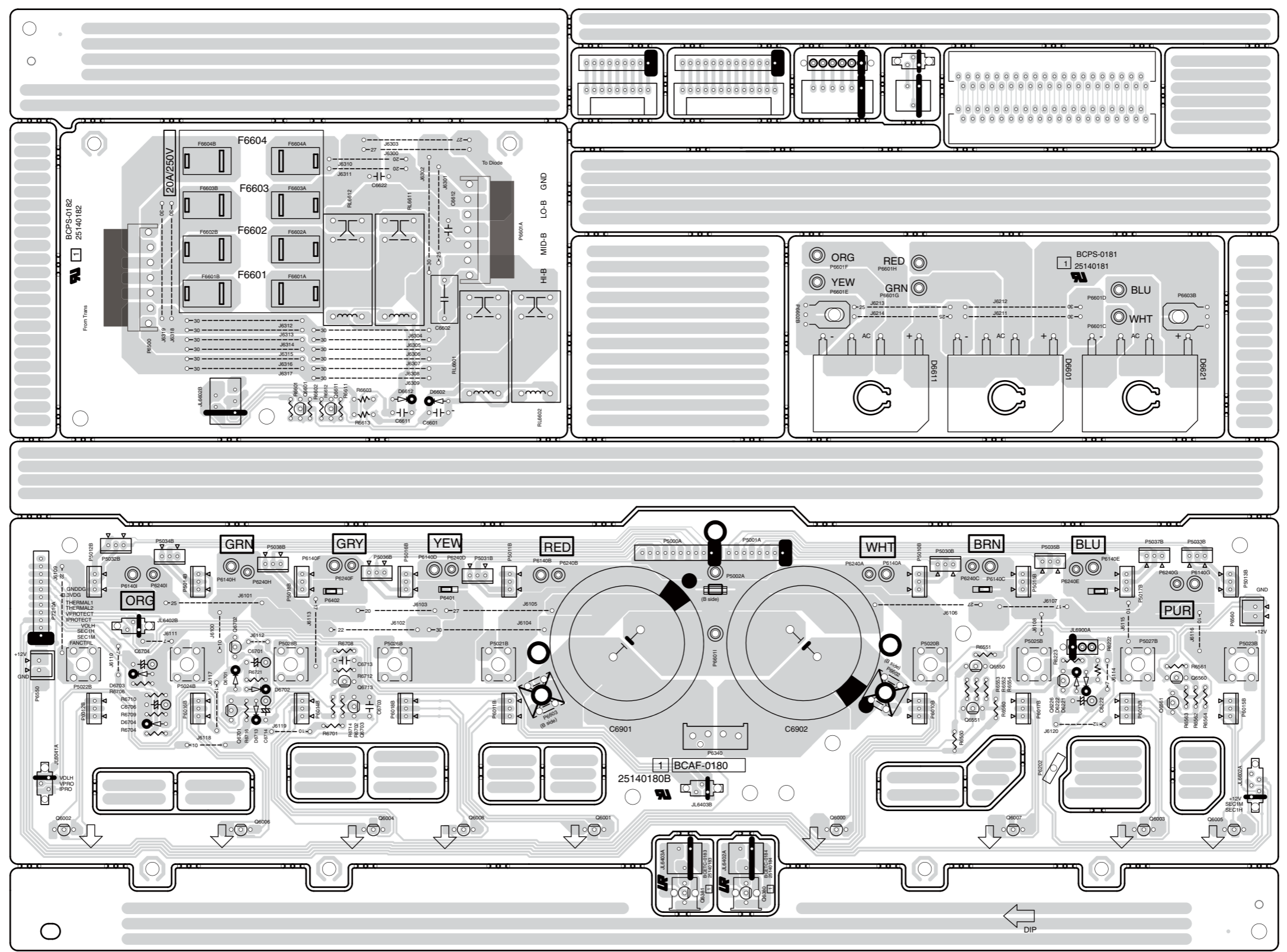
Component side view

A B C D E F G H

PRINTED CIRCUIT BOARD VIEWS-1A

U001 BAAF-0180

1  
2  
3  
4  
5



Component side view from soldering side



A B C D E F G H

PRINTED CIRCUIT BOARD VIEWS-2

U002 BAAMP-0191

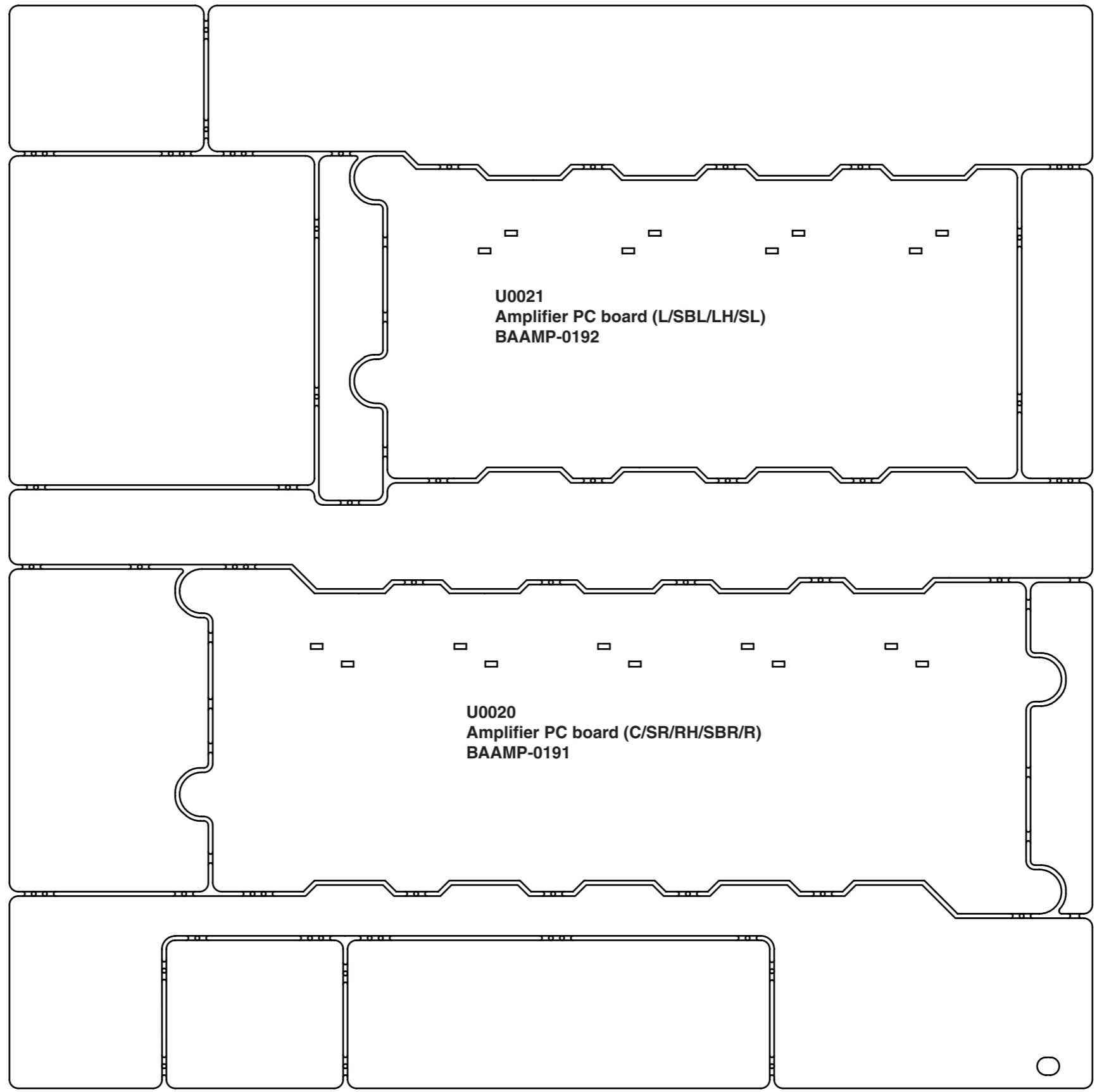
1

2

3

4

5



Component side view

A B C D E F G H

PRINTED CIRCUIT BOARD VIEWS-2A

U002 BAAMP-0191

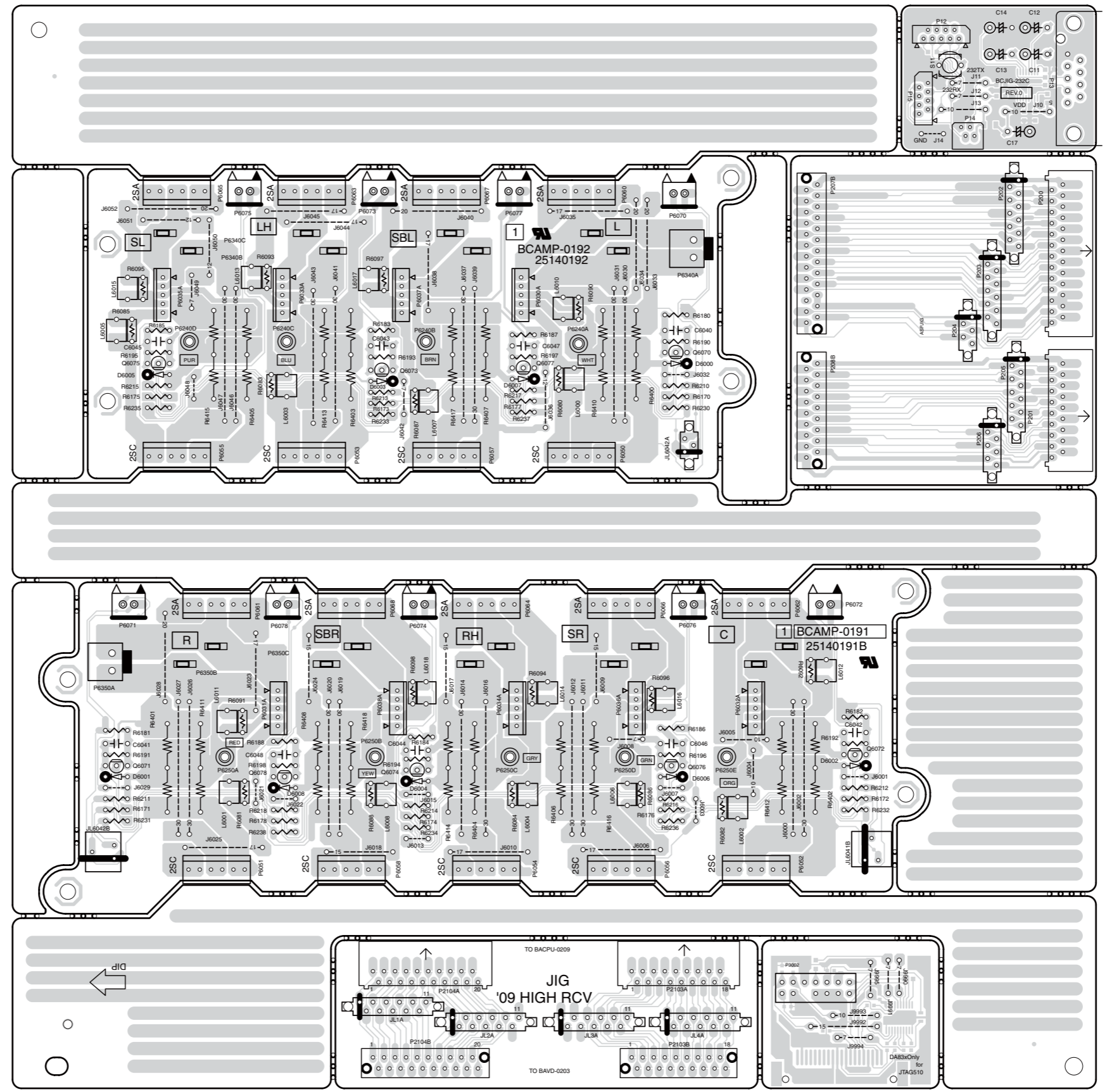
1

2

3

4

5



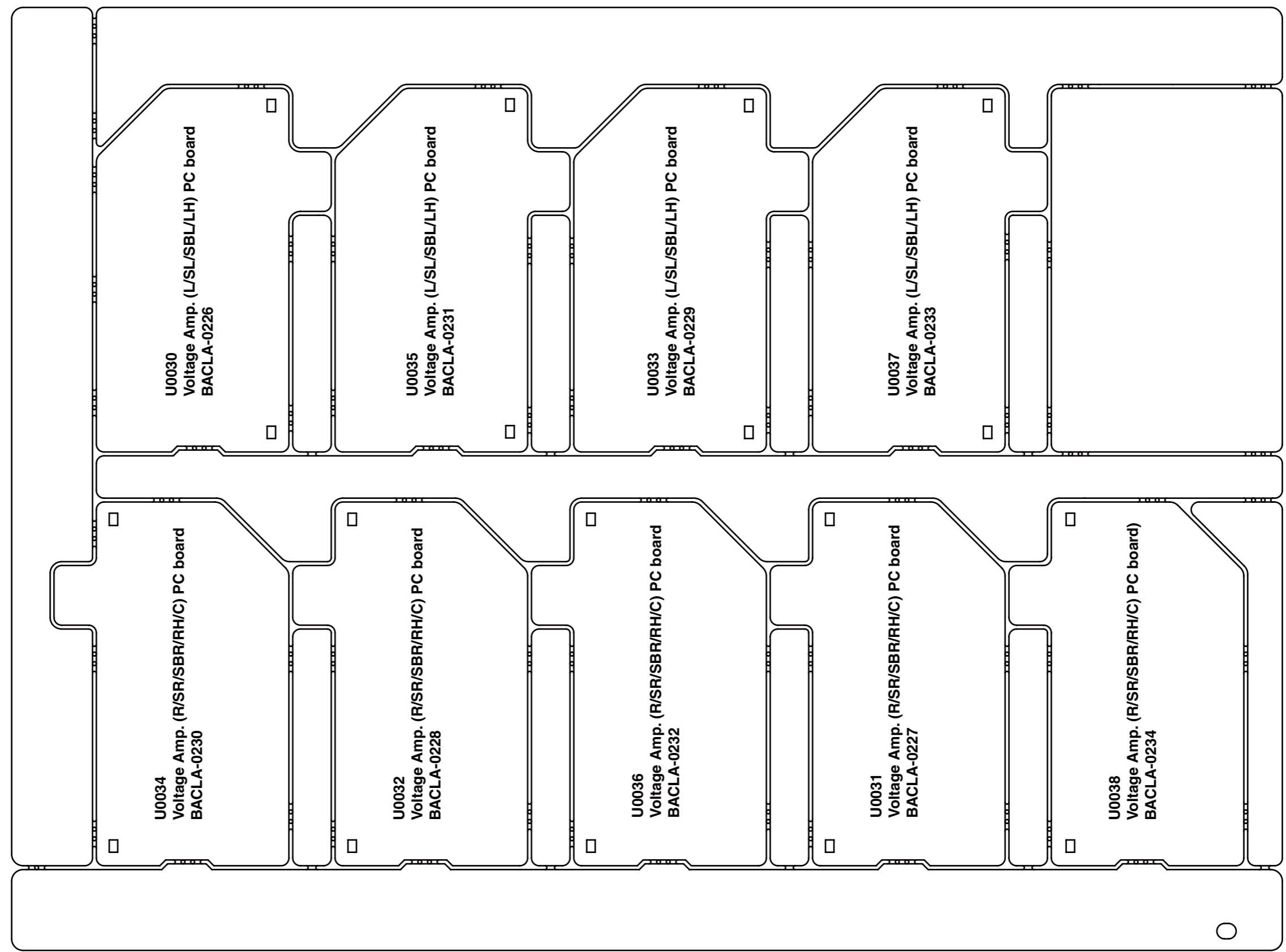
Component side view from soldering side

A B C D E F G H

PRINTED CIRCUIT BOARD VIEWS-3

U003 BACLA-0226

1  
2  
3  
4  
5



Component side view

A B C D E F G H

PRINTED CIRCUIT BOARD VIEWS-3A

U003 BACLA-0226

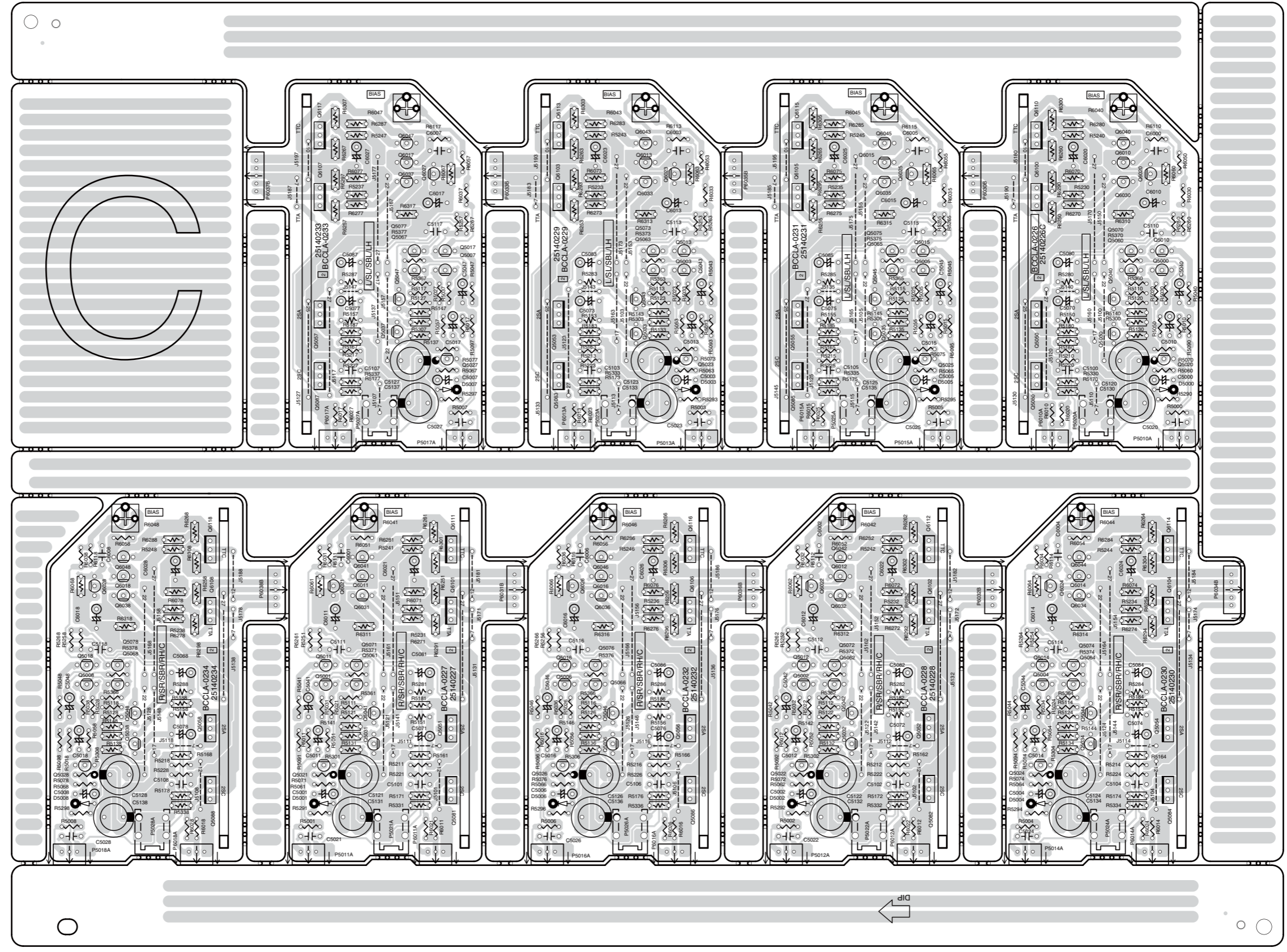
1

2

3

4

5



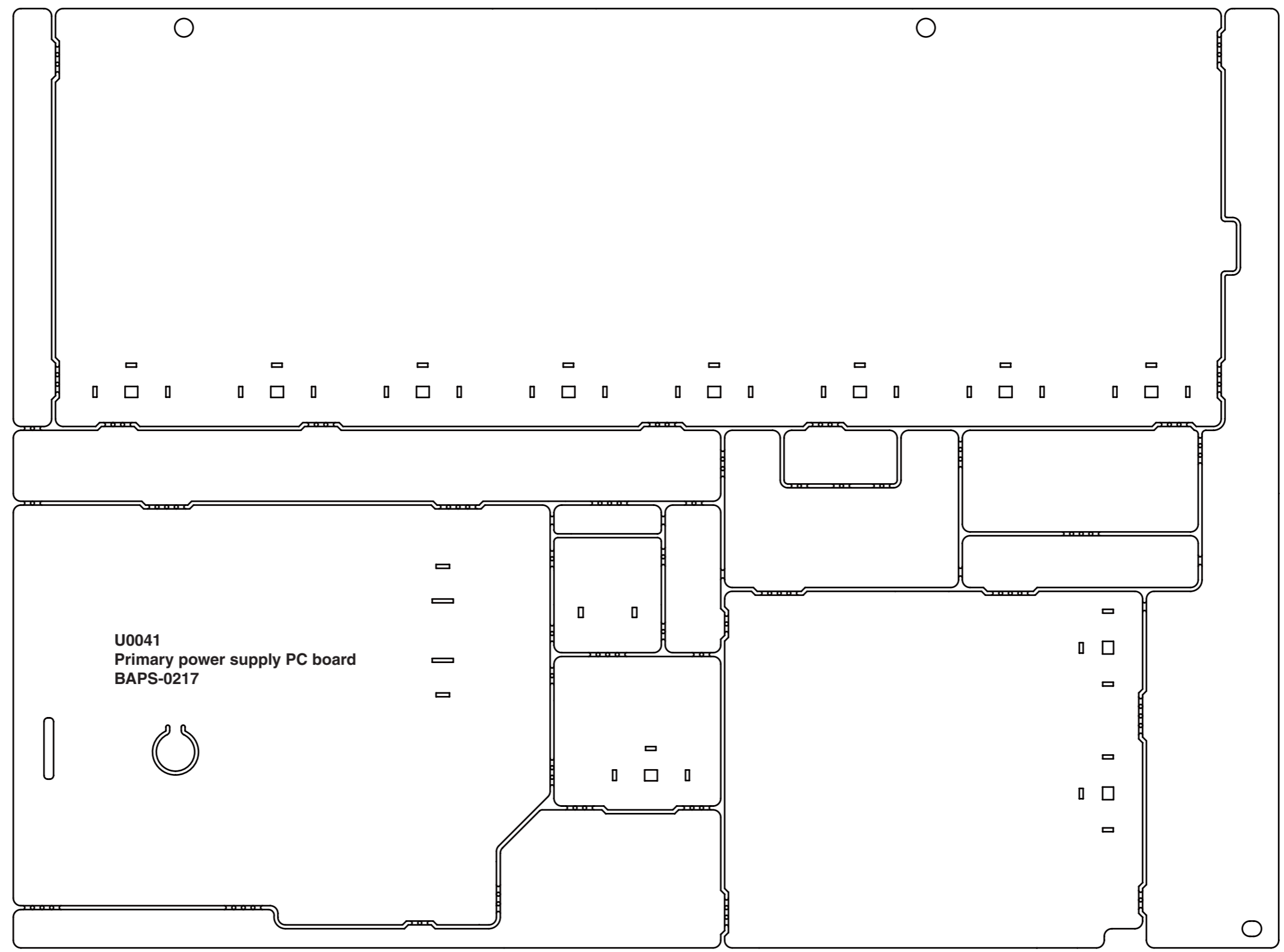
Component side view from soldering side

A B C D E F G H

PRINTED CIRCUIT BOARD VIEWS-4

U004 BATRM-0214

1  
2  
3  
4  
5



Component side view

A B C D E F G H  
PRINTED CIRCUIT BOARD VIEWS-4A

U004 BATRM-0214

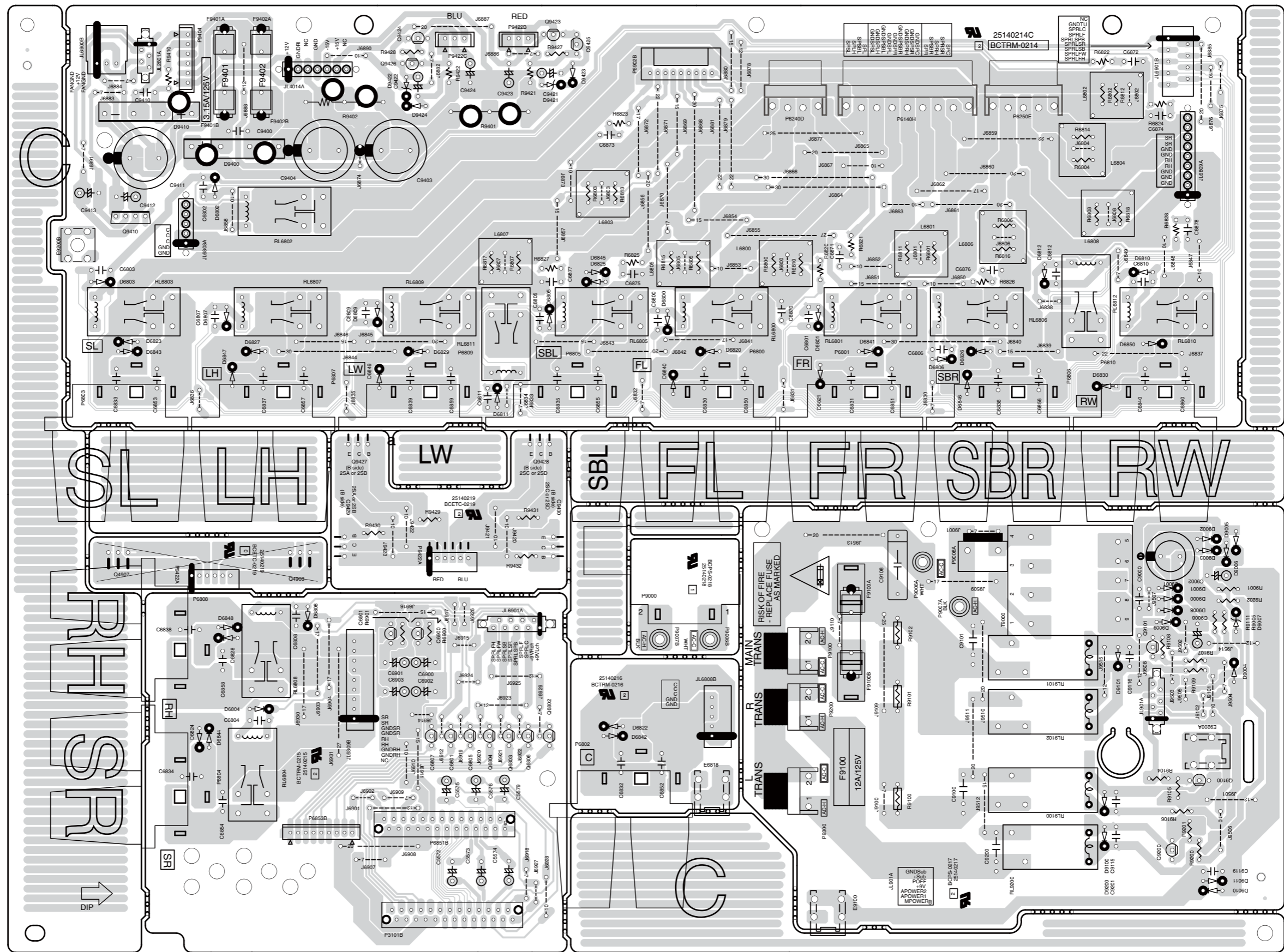
1

2

3

4

5



Component side view from soldering side

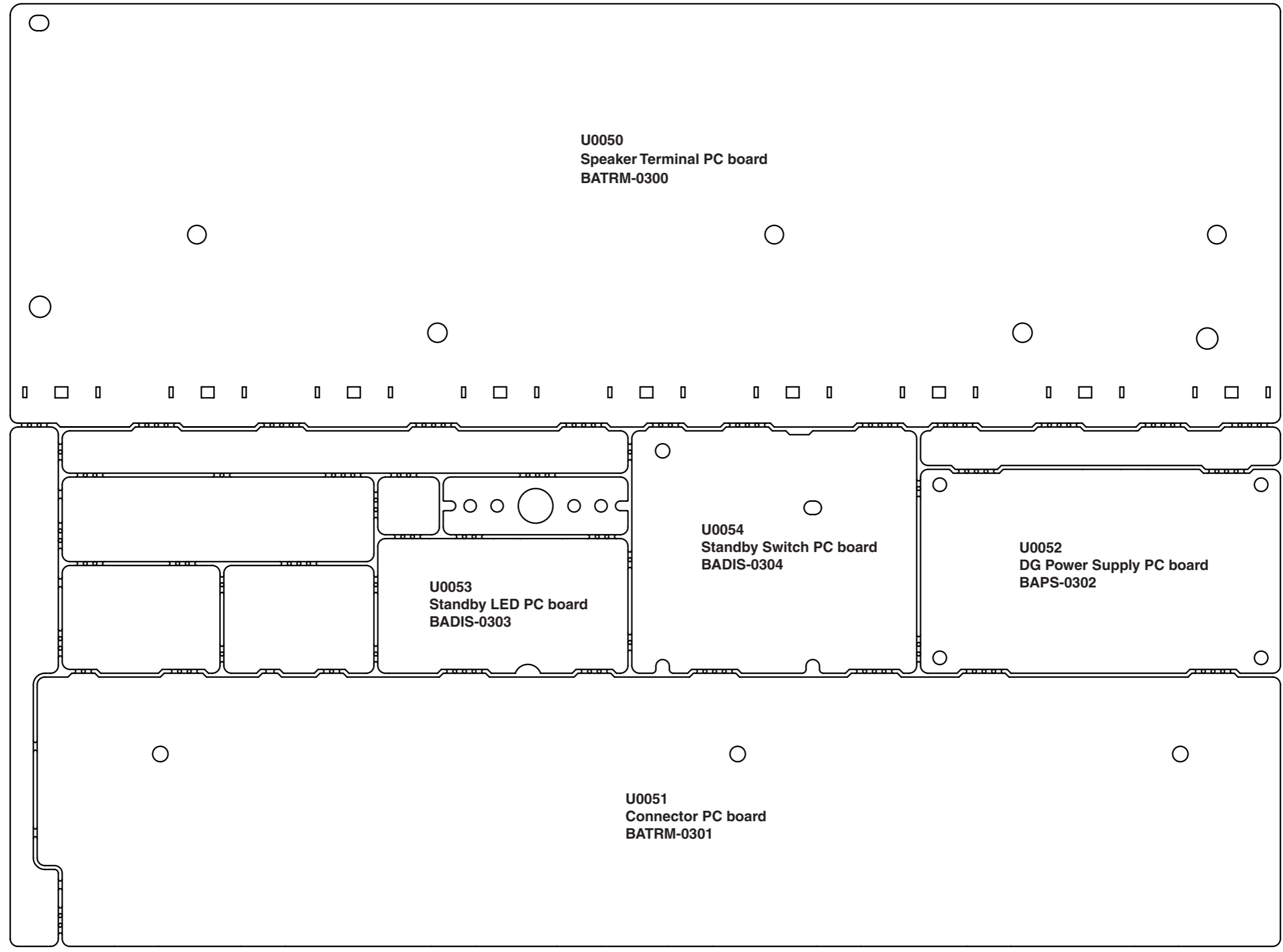
A B C D E F G H

PRINTED CIRCUIT BOARD VIEWS-5

**U005** BATRM-0300

A side view

1  
2  
3  
4  
5



U0050  
Speaker Terminal PC board  
BATRM-0300

U0053  
Standby LED PC board  
BADIS-0303

U0054  
Standby Switch PC board  
BADIS-0304

U0052  
DG Power Supply PC board  
BAPS-0302

U0051  
Connector PC board  
BATRM-0301

A B C D E F G H

PRINTED CIRCUIT BOARD VIEWS-5A

U005 BATRM-0300

A side view

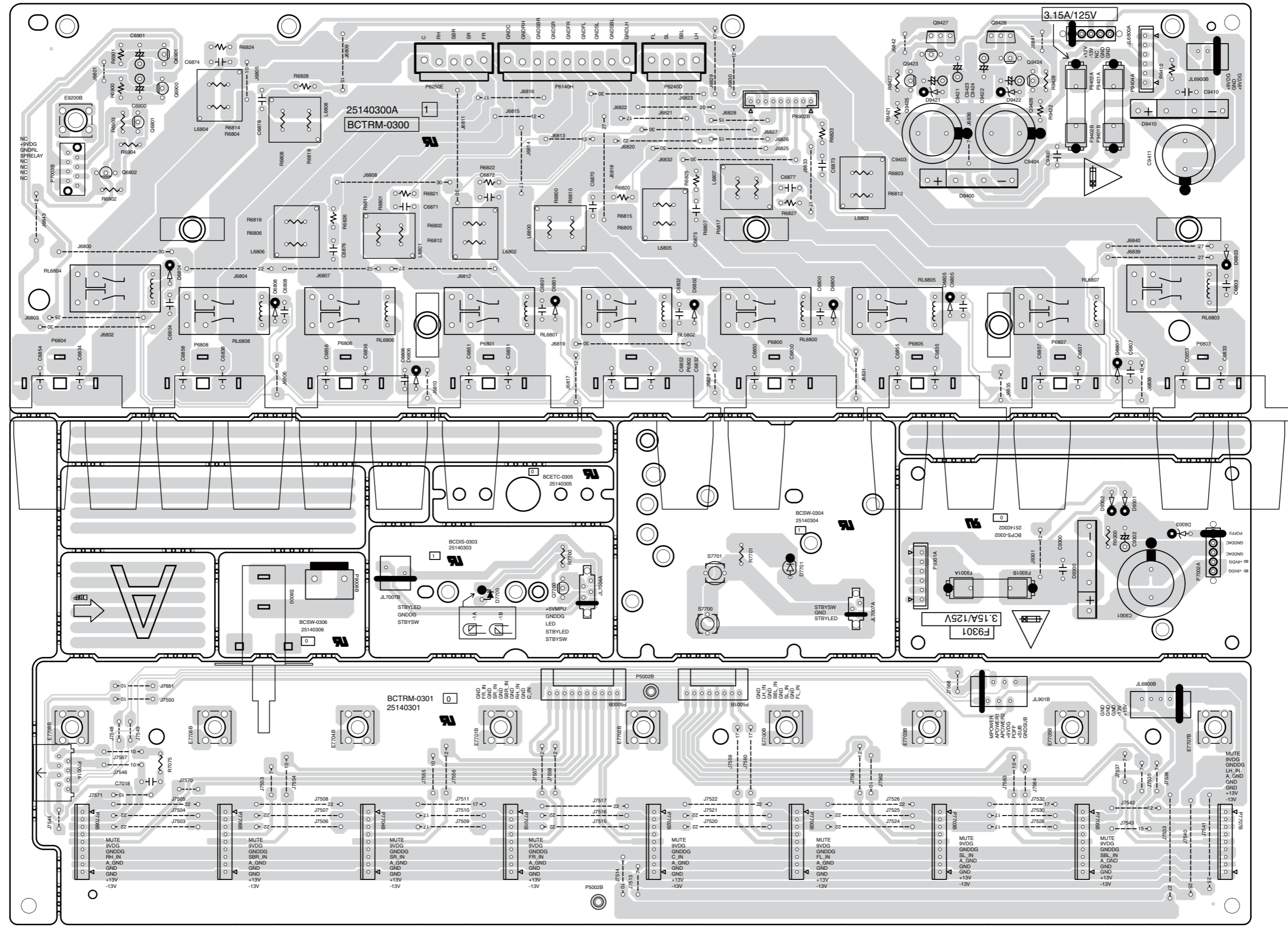
1

2

3

4

5





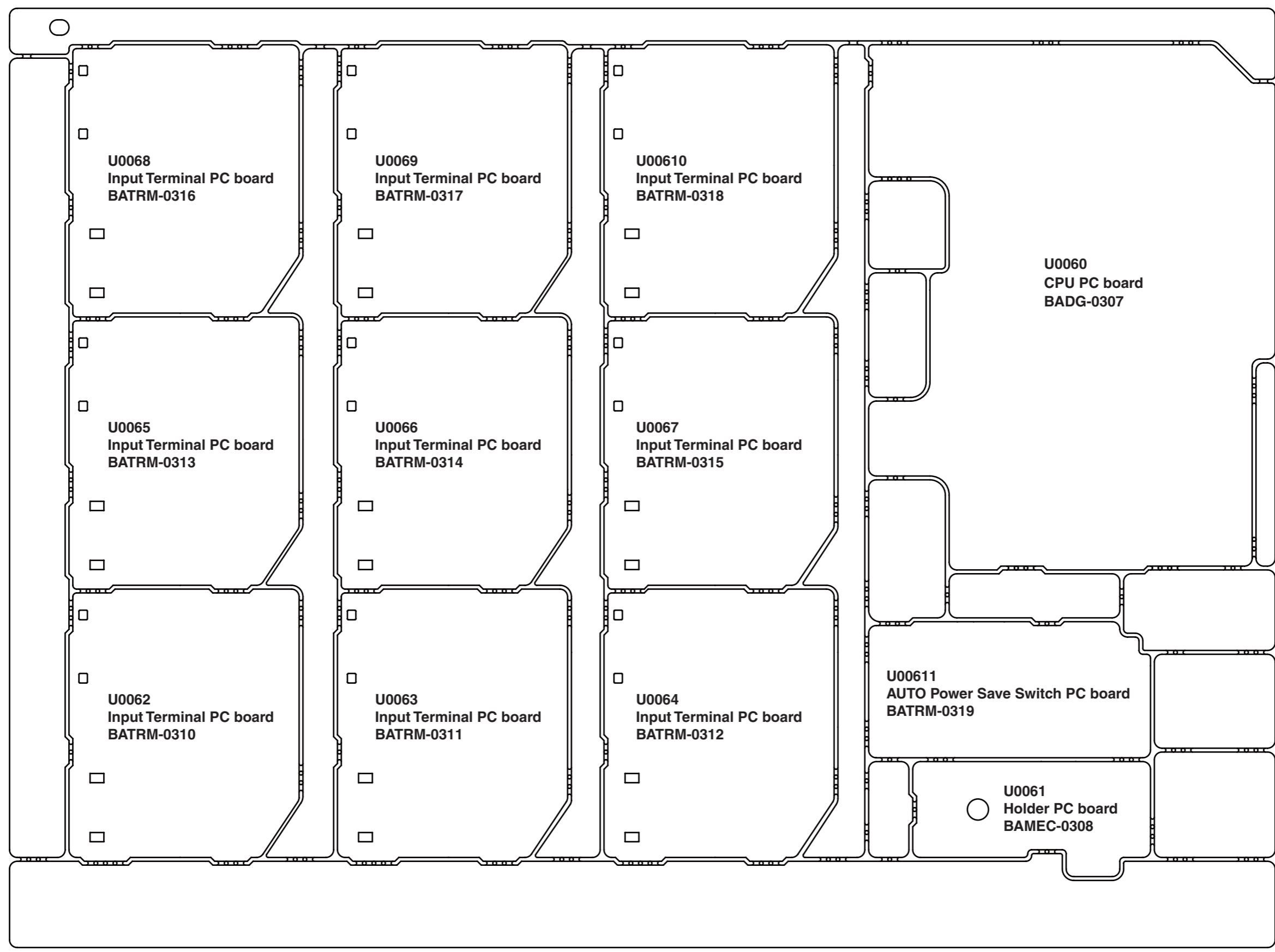
A B C D E F G H

PRINTED CIRCUIT BOARD VIEWS-6

**U006** BADG-0307

A side view

1  
2  
3  
4  
5



A B C D E F G H

PRINTED CIRCUIT BOARD VIEWS-6A

U006 BADG-0307

A side view

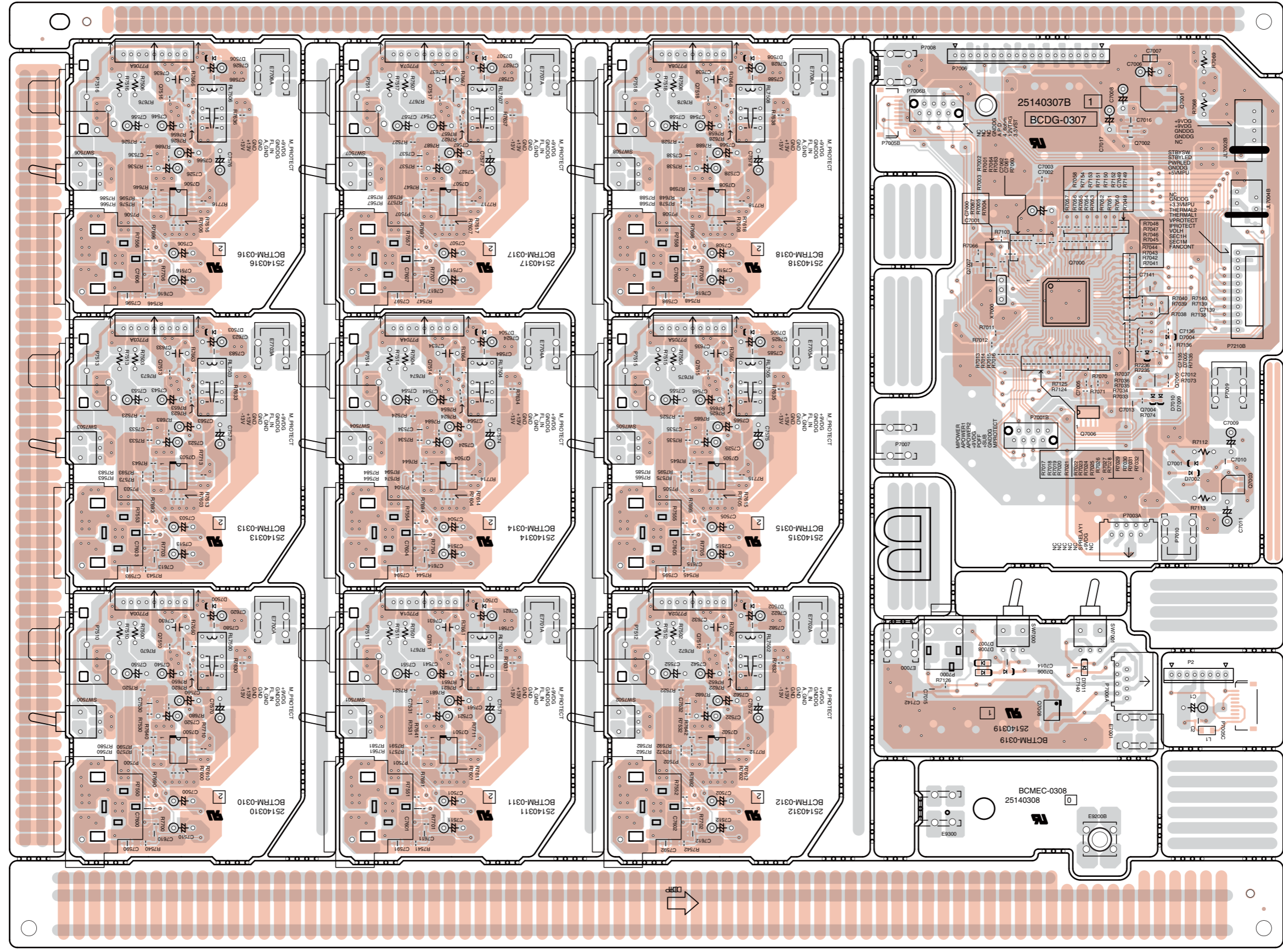
1

2

3

4

5



## &lt;Note&gt;

Parts marked by "NSP" are generally unavailable because they are not in our Master Spare Parts List.

**NOTE : THE COMPONENTS IDENTIFIED BY THE MARK ! ARE CRITICAL FOR RISK OF FIRE AND ELECTRIC SHOCK. REPLACE ONLY WITH PART NUMBER SPECIFIED.**

<MDC> : 120V,Canadian model

<MMP> : 230V,CE(European) country model

<MMR> : 220/230-240V,Chinese model

## EXPLODED VIEW PARTS LIST

REF. NO.	PART NAME	DESCRIPTION	Q'TY	PART NO. (SN)	REMARKS
<b>[SEMI CONDUCTOR]</b>					
Q6050	TR	TTC0002(Q)TO3PL	1	2204150	
Q6050A	ISO SHEET	ISO SHEET(NR5007_4CH)	1	223052	
Q6051	TR	TTC0002(Q)TO3PL	1	2204150	
Q6051A	ISO SHEET	ISO SHEET(NR5007_5CH)	1	223051	
Q6052	TR	TTC0002(Q)TO3PL	1	2204150	
Q6053	TR	TTC0002(Q)TO3PL	1	2204150	
Q6054	TR	TTC0002(Q)TO3PL	1	2204150	
Q6055	TR	TTC0002(Q)TO3PL	1	2204150	
Q6056	TR	TTC0002(Q)TO3PL	1	2204150	
Q6057	TR	TTC0002(Q)TO3PL	1	2204150	
Q6058	TR	TTC0002(Q)TO3PL	1	2204150	
Q6060	TR	TTA0002(Q)TO3PL	1	2204140	
Q6060A	ISO SHEET	ISO SHEET(NR5007_4CH)	1	223052	
Q6061	TR	TTA0002(Q)TO3PL	1	2204140	
Q6061A	ISO SHEET	ISO SHEET(NR5007_5CH)	1	223051	
Q6062	TR	TTA0002(Q)TO3PL	1	2204140	
Q6063	TR	TTA0002(Q)TO3PL	1	2204140	
Q6064	TR	TTA0002(Q)TO3PL	1	2204140	
Q6065	TR	TTA0002(Q)TO3PL	1	2204140	
Q6066	TR	TTA0002(Q)TO3PL	1	2204140	
Q6067	TR	TTA0002(Q)TO3PL	1	2204140	
Q6068	TR	TTA0002(Q)TO3PL	1	2204140	
<b>[CHASSIS BLUE]</b>					
A001	HEAT SINK	(5)	1	27160634A	
A003	HEAT SINK	(4)	1	27160635A	
A005	SPACER	(PC)	8	27270485	
A007	SCREW	3P+6FN(3BC)	8	82143006GR	
A009	SCREW	3SMS8W.SW+14B(CU)	18	801634	
A011	RETAINER	(HS-2)	2	27141530A	
A013	SCREW	3TTB+8B(3BC)	4	838430088GR	
A017	RETAINER	(HS-C)B	1	27142161B	N
A019	SCREW	3TTB+8B(3BC)	8	838430088GR	
A021	RETAINER	(HS-L)B	1	27142162	
A023	SCREW	3TTB+8B(3BC)	3	838430088GR	
A025	HOLDER	(CLAMP) UA-0	1	27190432	
A027	HOLDER	WS-4NS	1	27191207	
A029	RETAINER	(HS-R)B	1	27142163	
A031	SCREW	3TTB+8B(3BC)	4	838430088GR	
A033	HOLDER	(CLAMP) UA-0	1	27190432	
A037	SCREW	3TTB+8B(3BC)	4	838430088GR	
A039	SCREW	3TTB+8B(3BC)	9	838430088GR	
A041	HEAT SINK(S)	240	1	27160608	
A042	TAPE	TAPE(CLOTH-16U)	1	29110083	
A043	SCREW	3TTB+8B(3CM)SR	3	801637	
A045	SCREW	3TTB+8B(3BC)	2	838430088GR	
A049	IB CUSHION	W15*3t TAPE	1	28141585	
A051	WIRE TIE	BSK-1	12	260208	
A053	CHASSIS	(SUB)	1	27100565A	
A055	RETAINER	(FBR)	1	27142150A	
A056	TAPE	TAPE(CLOTH-8U)	1	29110082	
A057	SCREW	3TTB+8B(3BC)	3	838430088GR	
A059	BUSHING	CE-016 100MM	1	28170039	
A061	HOLDER	SPM-4	4	27191154	
A065	BUSHING	---	1	28170070	
A069	BRACKET	(FAN-L)	1	27131022A	

EV	A071	HOLDER	(FAN)	4	27191307	
EV	A073	BRACKET	(SUB-L)B	1	27131068A	
EV	A075	SCREW	3TTB+8B(3BC)	3	838430088GR	
EV	A077	HOLDER	WS-4NS	2	27191207	
EV	A079	BRACKET	(FAN-R)	1	27131023A	
EV	A081	HOLDER	(FAN)	4	27191307	
EV	A083	BRACKET	(SUB-R)B	1	27131069A	
EV	A085	SCREW	3TTB+8B(3BC)	3	838430088GR	
EV	A087	HOLDER	WS-4NS	1	27191207	
EV	A089	TAPE	TAPE(CLOTH-16U)	1	29110083	
EV	A101	BRACKET	(PT)B	1	27131070	
EV	A103	BUSHING	L30	2	28170006	
EV	A105	BUSHING	BUSHING	2	28170040	
EV	A109	IB CUSHION	W15*3t TAPE	1	28141585	
EV	A111	SCREW	4TTC+8C(3BC)	8	830440089GR	
EV	A113	SCREW	4TTC+8C(3BC)	4	830440089GR	
EV	A115	SCREW	3TTB+8B(3BC)	2	838430088GR	
EV	A119	SCREW	4TTC+8C(3BC)	2	830440089GR	
EV	A121	SPACER	---	2	27270489	
EV	A123	IB CUSHION	W15*3t TAPE	1	28141585	
EV	A125	SCREW	3TTB+8B(3BC)	7	838430088GR	
EV	A126	SCREW	3TTB+8B(3BC)	7	838430088GR	
EV	A127	CUSHION	t10*10*100	1	28141746	
EV	A147	CUSHION	(BUTYL)	1	28141748	
EV	A149	IB CUSHION	W15*3t TAPE	1	28141585	
EV	A151	CHASSIS	---	1	27100566A	
EV	A153	LEG	---	4	27175455	
EV	A155	CUSHION	(LEG)	4	28141735	
EV	A157	IB CUSHION	W15*3t TAPE	1	28141585	
EV	A158	CUSHION	(BUTYL)	1	28141748	
EV	A161	SCREW	3TTB+8B(3BC)	4	838430088GR	
EV	A163	HOLDER	(SPD-6)	4	27191308	
EV	A165	HOLDER	KGPS-10RF	3	27190813	
EV	A169	HOLDER	KGLS-12RT	1	27190266	
EV	A170	HOLDER	KGLS-22RT	1	27190772	
EV	A171	HOLDER	KGLS-20RT V0	3	27191338	
EV	A173	HOLDER	HOLDER KGLS-18S	3	27190470	
EV	A175	HOLDER	KGPS-18S	2	27191339	
EV	A181	SCREW	3TTB+8B(3BC)	1	838430088GR	
EV	A183	SCREW	3TTB+8B(3BC)	1	838430088GR	
EV	A189	SCREW	3TTB+8B(3BC)	1	838430088GR	
EV	A193	SCREW	3TTB+8B(3BC)	2	838430088GR	
EV	A195	SCREW	3TTB+8B(3BC)	3	838430088GR	
EV	A197	SCREW	3TTB+8B(3BC)	2	838430088GR	
EV	A199	SCREW	4TTC+8C(3BC)	1	830440089GR	
EV	A201	SPACER	---	1	27270489	
EV	A203	SCREW	3TTB+8B(3BC)	5	838430088GR	
EV	A205	SCREW	3TTB+8B(3BC)	8	838430088GR	
EV	A207	SCREW	3TTB+8B(3BC)	8	838430088GR	
EV	A247	LABEL	(PT)	1	29363408-1	
EV	A251	WIRE TIE	BSK-1	8	260208	
EV	A252	WIRE TIE	BINDER(CLAMPER)UL	1	260258	
EV	A253	TAPE	TAPE(CLOTH-16U)	1	29110083	
EV	A255	REAR PANEL	PAMC5501MDC	1	27124336B	N <MDC>
EV	A255	REAR PANEL	PAMC5501MMP	1	27124337B	N <MMP>
EV	A255	REAR PANEL	PAMC5501MMR	1	27124338B	N <MMR>
EV	A257	TAPE	TAPE(CLOTH-8U)	1	29110082	
EV	A261	SCREW	3TTB+8B(3BC)	41	838430088GR	
EV	A270	SCREW	3TTF+10B(3BC)	2	835430108GR	
EV	A279	ISO PLT	(HS-R)	2	28175336A	
EV	A281	RIVET	P-RIVET NRP-345	1	880009	
EV	A283	P RIVET	P-3055B-8L	2	880048	
EV	A285	ISO PLT	(HS-U)	1	28175337A	
EV	A287	SCREW	3TTB+8B(3BC)	2	838430088GR	
EV	A288	SPACER	T1*Φ8*Φ3.2PTFE	2	27270527	
EV	A291	LABEL	(SP)	1	29391139	
EV	A292	RETAINER	(CLA-L)	1	27142196	
EV	A293	RETAINER	(CLA-R)	1	27142197	

EV	A294	RETAINER	(CLA-U)	2	27142198	
EV	A295	SCREW	3TTB+8B(3BC)	9	838430088GR	
EV	A296	SCREW	3TTB+8B(3BC)	2	838430088GR	
EV	A298	SPACER	(φ6-3-1.0)	1	27270492	
EV	A303	BUSHING	BUSHING	2	28170040	
EV	A304	BUSHING	CE-016 L=40	1	28170102	
EV	A305	BUSHING	CE-016 L=70	1	28170103	
EV	P6800	P RIVET	JB-407A-C	18	880052	<MMP, MMR>
EV	<b>[CABINET]</b>					
EV	A331	F PANEL	PA-MC5501B	1	27213514	N
EV	A401	GUIDE	(STBY)	1	27268281	
EV	A402	KNOB	(STBY)AS BLK	1	28327071	N
EV	A403	BADGE	---	1	28135317	
EV	A405	PLATE	(LED)	1	27262892	N
EV	A406	FILM	(LED)	1	28199233	N
EV	A409	HOLDER	(DOOR-L)(B)	1	27191356	
EV	A410	HOLDER	(DOOR-R)(B)	1	27191357	
EV	A411	F BRACKET	(B)	1	27111594E	
EV	A412	CUSHION	---	2	28141561-1	
EV	A413	GUIDE	(LED)	1	27268299	N
EV	A414	HOLDER	(PWB)	1	27191364	N
EV	A415	SCREW	2.6TTB+8B(3BC)	2	838426088GR	
EV	A417	SCREW	3TTB+8B(3BC)	5	838430088GR	
EV	A419	CAP	(LED)	1	28330201	N
EV	A420	SCREW	3TTB+8B(3BC)	9	838430088GR	
EV	A425	TAPE	TAPE(CLOTH-8U)	1	29110082	
EV	A431	COVER	5009 BLACK	1	28210098	
EV	A432	SIDE PANEL	(L) BLACK	1	28185506	N
EV	A432 or	SIDE PANEL	(L) BLACK	(1)	28185498B	N
EV	A433	SIDE PANEL	(R) BLACK	1	28185509	N
EV	A433 or	SIDE PANEL	(R) BLACK	(1)	28185496B	N
EV	A434	PLATE	(PM) BLACK	2	27262888A	
EV	A437	SCREW	(COVER)	14	801657	
EV	A440	SPACER	t1xφ9xφ4	2	27270519	
EV	A441	LABEL	(COVER)	1	29364123	
EV	A561	LABEL	HOOKUP-ONKYO	1	29363194	<MDC>
EV	A563	LABEL	(CCC)	1	29364396	<MMR>
EV	A565	LABEL	(APV)	1	29390190	<MMR>
EV	A566	LABEL	(FLASH)(B)	1	29391423	<MDC>
EV	<b>[TRANS COIL]</b>					
EV	T901	P TRANS	NPT-1554D	1	2301898	! <MDC>
EV	T901	P TRANS	NPT-1554M	1	2301899	! <MMP, MMR>
EV	T902	P TRANS	NPT-1582D	1	2301955	! <MDC>
EV	T902	P TRANS	NPT-1582M	1	2301956	! <MMP, MMR>
EV	<b>[SW TRM]</b>					
EV	F6601	FUSE	20A-UL-250V	1	252304GR	!
EV	F6602	FUSE	20A-UL-250V	1	252304GR	!
EV	F6603	FUSE	20A-UL-250V	1	252304GR	!
EV	F6604	FUSE	20A-UL-250V	1	252304GR	!
EV	F9100	FUSE	6.3A-SE-EAK FUSE	1	252079GR	! <MMP, MMR>
EV	F9100	FUSE	12A-UL-ST6	1	252340GR	! <MDC>
EV	F9100 or	FUSE	6.3A-SE-TL250V	(1)	252279GR	! <MMP, MMR>
EV	F9301	FUSE	3.15A-UL/T-233	1	252323GR	!
EV	F9301 or	FUSE	3.15A-T/UL-ST2	(1)	252256GR	!
EV	F9401	FUSE	3.15A-UL/T-233	1	252323GR	!
EV	F9401 or	FUSE	3.15A-T/UL-ST2	(1)	252256GR	!
EV	F9402	FUSE	3.15A-UL/T-233	1	252323GR	!
EV	F9402 or	FUSE	3.15A-T/UL-ST2	(1)	252256GR	!
EV	P61	FAN	D09A-12PG13	1	24502328	
EV	P62	FAN	D09A-12PG13	1	24502328	
EV	P9000	AC INLET	R301X2PSn	1	25053358	! <MDC, MMP, MMR>
EV	P9008	SOCKET AS	NSAS-6P1675	1	2009991073UL	!
EV	<b>[TUNER UNIT]</b>					
EV	U001	U0010 - U0014	BAAF-0180-1C *	1	1B234580-1C	N
EV	U0010	POWER SUPPLY PC BOARD ASS'Y	BAAF-0180-1C	1	1B2345180-1C	N
EV	U0011	DIODE PC BOARD ASS'Y	BAPS-0181-1C	1	1B2345181-1C	N
EV	U0012	RELAY PC BOARD ASS'Y	BAPS-0182-1C	1	1B2345182-1C	N
EV	U0013	THERMAL SENSOR PC BOARD ASS'Y	BAETC-0183-1C	1	1B2345183-1C	N

EV	U0014	THERMAL SENSOR PC BOARD ASS'Y	BAETC-0184-1C	1	1B2345184-1C	N
EV	<b>U002</b>	<b>U0020 + U0021</b>	<b>BAAMP-0191-1A *</b>	<b>1</b>	<b>1B234591-1A</b>	<b>N</b>
EV	U0020	AMPLIFIER(C/SR/RH/SBR/R) PC BOARD ASS'Y	BAAMP-0191-1A	1	1B2345191-1A	N
EV	U0021	AMPLIFIER(L/SBL/LH/SL) PC BOARD ASS'Y	BAAMP-0192-1A	1	1B2345192-1A	N
EV	<b>U003</b>	<b>U0030 ~ U0038</b>	<b>BACLA-0226-1A *</b>	<b>1</b>	<b>1B234526-1A</b>	<b>N</b>
EV	U0030	VOLTAGE AMP(L/SL/SBL/LH) PC BOARD ASS'Y	BACLA-0226-1A	1	1B2345226-1A	
EV	U0033	VOLTAGE AMP(L/SL/SBL/LH) PC BOARD ASS'Y	BACLA-0229-1A	1	1B2345229-1A	N
EV	U0035	VOLTAGE AMP(L/SL/SBL/LH) PC BOARD ASS'Y	BACLA-0231-1A	1	1B2345231-1A	N
EV	U0037	VOLTAGE AMP(L/SL/SBL/LH) PC BOARD ASS'Y	BACLA-0233-1A	1	1B2345233-1A	N
EV	<b>&lt;Note&gt;</b>					
EV	U0030, U0033, U0035, and U0037 are compatible. After replacing the parts, however, please be sure to adjust of idling current.					
EV	U0031	VOLTAGE AMP(R/SR/SBR/RH/C) PC BOARD ASS'Y	BACLA-0227-1A	1	1B2345227-1A	N
EV	U0032	VOLTAGE AMP(R/SR/SBR/RH/C) PC BOARD ASS'Y	BACLA-0228-1A	1	1B2345228-1A	N
EV	U0034	VOLTAGE AMP(R/SR/SBR/RH/C) PC BOARD ASS'Y	BACLA-0230-1A	1	1B2345230-1A	N
EV	U0036	VOLTAGE AMP(R/SR/SBR/RH/C) PC BOARD ASS'Y	BACLA-0232-1A	1	1B2345232-1A	N
EV	U0038	VOLTAGE AMP(R/SR/SBR/RH/C) PC BOARD ASS'Y	BACLA-0234-1A	1	1B2345234-1A	N
EV	<b>&lt;Note&gt;</b>					
EV	U0031, U0032, U0034, U0036 and U0038 are compatible. After replacing the parts, however, please be sure to adjust of idling current.					
EV	<b>U0041</b>	<b>PRIMARY POWER SUPPLY PC BOARD ASS'Y</b>	<b>BAPS-0217-2F</b>	<b>1</b>	<b>1B2345217-2F</b>	<b>N &lt;MDC&gt;</b>
EV	<b>U0041</b>	<b>PRIMARY POWER SUPPLY PC BOARD ASS'Y</b>	<b>BAPS-0217-2D</b>	<b>1</b>	<b>1B2345217-2D</b>	<b>N &lt;MMP, MMR&gt;</b>
EV	<b>U005</b>	<b>U0050 ~ U0056</b>	<b>BATRM-0300-1B *</b>	<b>1</b>	<b>1B234500-1A</b>	<b>N</b>
EV	U0050	SPEAKER TERMINAL PC BOARD ASS'Y	BATRM-0300-1B	1	1B2345300-1B	N
EV	U0051	CONNECTOR PC BOARD ASS'Y	BATRM-0301-1B	1	1B2345301-1B	N
EV	U0052	DG POWER SUPPLY PC BOARD ASS'Y	BAPS-0302-1B	1	1B2345302-1B	N
EV	U0053	STANDBY LED PC BOARD ASS'Y	BADIS-0303-1B	1	1B2345303-1B	N
EV	U0054	STANDBY SW PC BOARD ASS'Y	BASW-0304-1B	1	1B2345304-1B	N
EV	<b>U006</b>	<b>U0060 ~ U00611</b>	<b>BADG-0307-1A *</b>	<b>1</b>	<b>1B234507-1A</b>	<b>N &lt;MDC&gt;</b>
EV	U0060	CPU PC BOARD ASS'Y	BADG-0307-1A	1	1B2345307-1A	N <MDC>
EV	U0061	HOLDER PC BOARD	BAMEC-0308-1A	1	1B2345308-1A	N <MDC>
EV	U0062	INPUT TERMINAL PC BOARD ASS'Y	BATRM-0310-1A	1	1B2345310-1A	N <MDC>
EV	U0063	INPUT TERMINAL PC BOARD ASS'Y	BATRM-0311-1A	1	1B2345311-1A	N <MDC>
EV	U0064	INPUT TERMINAL PC BOARD ASS'Y	BATRM-0312-1A	1	1B2345312-1A	N <MDC>
EV	U0065	INPUT TERMINAL PC BOARD ASS'Y	BATRM-0313-1A	1	1B2345313-1A	N <MDC>
EV	U0066	INPUT TERMINAL PC BOARD ASS'Y	BATRM-0314-1A	1	1B2345314-1A	N <MDC>
EV	U0067	INPUT TERMINAL PC BOARD ASS'Y	BATRM-0315-1A	1	1B2345315-1A	N <MDC>
EV	U0068	INPUT TERMINAL PC BOARD ASS'Y	BATRM-0316-1A	1	1B2345316-1A	N <MDC>
EV	U0069	INPUT TERMINAL PC BOARD ASS'Y	BATRM-0317-1A	1	1B2345317-1A	N <MDC>
EV	U00610	INPUT TERMINAL PC BOARD ASS'Y	BATRM-0318-1A	1	1B2345318-1A	N <MDC>
EV	U00611	AUTO POWER SAVE SWITCH PC BOARD ASS'Y	BATRM-0319-1A	1	1B2345319-1A	N <MDC>
EV	<b>U006</b>	<b>U0060 ~ U00611</b>	<b>BADG-0307-1B *</b>	<b>1</b>	<b>1B234507-1B</b>	<b>N &lt;MMP, MMR&gt;</b>
EV	U0060	CPU PC BOARD ASS'Y	BADG-0307-1B	1	1B2345307-1B	N <MMP, MMR>
EV	U0061	HOLDER PC BOARD	BAMEC-0308-1B	1	1B2345308-1B	N <MMP, MMR>
EV	U0062	INPUT TERMINAL PC BOARD ASS'Y	BATRM-0310-1B	1	1B2345310-1B	N <MMP, MMR>
EV	U0063	INPUT TERMINAL PC BOARD ASS'Y	BATRM-0311-1B	1	1B2345311-1B	N <MMP, MMR>
EV	U0064	INPUT TERMINAL PC BOARD ASS'Y	BATRM-0312-1B	1	1B2345312-1B	N <MMP, MMR>
EV	U0065	INPUT TERMINAL PC BOARD ASS'Y	BATRM-0313-1B	1	1B2345313-1B	N <MMP, MMR>
EV	U0066	INPUT TERMINAL PC BOARD ASS'Y	BATRM-0314-1B	1	1B2345314-1B	N <MMP, MMR>
EV	U0067	INPUT TERMINAL PC BOARD ASS'Y	BATRM-0315-1B	1	1B2345315-1B	N <MMP, MMR>
EV	U0068	INPUT TERMINAL PC BOARD ASS'Y	BATRM-0316-1B	1	1B2345316-1B	N <MMP, MMR>
EV	U0069	INPUT TERMINAL PC BOARD ASS'Y	BATRM-0317-1B	1	1B2345317-1B	N <MMP, MMR>
EV	U00610	INPUT TERMINAL PC BOARD ASS'Y	BATRM-0318-1B	1	1B2345318-1B	N <MMP, MMR>
EV	U00611	AUTO POWER SAVE SWITCH PC BOARD ASS'Y	BATRM-0319-1B	1	1B2345319-1B	N <MMP, MMR>

**PA-MC5501**

**PACKING PROCEDURES PARTS LIST**

REF. NO.	PART NAME	DESCRIPTION	Q'TY	PART NO. (SN)	REMARKS
PV	<b>[PACKING]</b>				
PV	A701	SHEET	1	29096134	
PV	A705	TAPE	1	29110149	
PV	A711	PAD	1	29092607B	
PV	A731	CARTON	1	29055270A	N <MDC, MMP, MMR>
PV	A733	SHEET	1	29096104	
PV	A735	STAPLE	4	282321	
PV	A736	SHEET	4	29096132	
PV	A737	PP TAPE	1	29110200	
PV	A751A	UPC LABEL	1	29391734	N <MDC>
PV	A751A	EAN LABEL	1	29391735	N <MMP>

PV	A751A	EAN LABEL	PA-MC5501MR	1	29391736	N <MMR>
PV	A757	LABEL	(CARTON)	1	29390944	<MMR>
PV	A759	LABEL	(CHINA-5500)	1	29391098A	<MMR>
PV	A766	LABEL	(CARTON)(100x14)	2	29391718	<MMR>
PV	<b>[ACCESSARY]</b>					
PV	A1144	INST SHEET	U13(Ventilation)	1	29355845	N
PV	A763	LABEL	(SPCABLE)2009	1	29390881	
PV	A765	WRNTY CARD	(ONKYO)	1	29365135	<MDC>
PV	A765	WRNTY CARD	(ONKYO-CH)	1	29365098C	<MMR>
PV	A769	INST SHEET	CHINA ROHS	1	29355616B	<MMR>
PV	A771	INST SHEET	WEEE	1	29355793A	<MMP>
PV	A775	POLY BAG	w250xd350	1	29100250A	
PV	A777	POLY BAG	w250xd350	1	29100250A	<MMP, MMR>
PV	A781	TAPE	(SEROHAN)NITTO NO.29	1	29110149	
PV	A783	TAPE	(SEROHAN)NITTO NO.29	1	29110149	<MDC, MMP, MMR>
PV	A851	INS MANUAL	En(PA-MC5501)	1	29400874	N <MDC, MMP>
PV	A853	INS MANUAL	U2FrEs(PA-MC5501)	1	29400875	N <MMP>
PV	A855	INS MANUAL	U2ItDe(PA-MC5501)	1	29400876	N <MMP>
PV	A855	INS MANUAL	Cs(PA-MC5501)	1	29400879	N <MMR>
PV	A856	INS MANUAL	U2NiSv(PA-MC5501)	1	29400877	N <MMP>
PV	P901	AC CORD	AS-CEE-3	1	253298VOL	! <MMP>
PV	P901	AC CORD	AS-UC-2	1	253301VOL	! <MDC>
PV	P901	AC CORD	AS-CCC	1	253358VOL	! <MMR>
PV	P902	CORD AS	3.5 MINI PLUG	1	2010431	

## PC BOARD PARTS LIST

PA-MC5501

U001	<b>U001</b>	<b>U0010 ~ U0014</b>	<b>BAAF-0180-1C *</b>
U001	<b>U0010</b>	POWER SUPPLY PCB AS	BAAF-0180-1C
U001	<b>U0011</b>	DIODE PC BOARD ASS'Y	BAPS-0181-1C
U001	<b>U0012</b>	RELAY PC BOARD ASS'Y	BAPS-0182-1C
U001	<b>U0013</b>	THERMAL SENSOR PC BOARD ASS'Y	BAETC-0183-1C
U001	<b>U0014</b>	THERMAL SENSOR PC BOARD ASS'Y	BAETC-0184-1C

	CIRCUIT. NO.	PART NAME	DESCRIPTION	Q'TY	PART NO. (SN)	REMARKS
U001	<b>[SEMI CONDUCTOR]</b>					
U001	D6221	DIODE	1SS133	1	223163T	
U001	D6222	DIODE	1SS133	1	223163T	
U001	D6601	DIODE	LN25XB60	1	22380345	
U001	D6602	DIODE	1SS133	1	223163T	
U001	D6611	DIODE	LN25XB60	1	22380345	
U001	D6612	DIODE	1SS133	1	223163T	
U001	D6621	DIODE	LN25XB60	1	22380345	
U001	D6701	DIODE	1SS133	1	223163T	
U001	D6702	DIODE	1SS133	1	223163T	
U001	D6703	ZENER D	MTZJ3.3B	1	224470332T	
U001	D6704	ZENER D	MTZJ3.3B	1	224470332T	
U001	D6713	ZENER D	MTZJ3.3B	1	224470332T	
U001	Q6000	TR	2SC1740S-S	1	2213285T	
U001	Q6001	TR	2SC1740S-S	1	2213285T	
U001	Q6002	TR	2SC1740S-S	1	2213285T	
U001	Q6003	TR	2SC1740S-S	1	2213285T	
U001	Q6004	TR	2SC1740S-S	1	2213285T	
U001	Q6005	TR	2SC1740S-S	1	2213285T	
U001	Q6006	TR	2SC1740S-S	1	2213285T	
U001	Q6007	TR	2SC1740S-S	1	2213285T	
U001	Q6008	TR	2SC1740S-S	1	2213285T	
U001	Q6226	TR	2SB1240-R	1	2213794T	
U001	Q6380	IC	LM61CIZ	1	22242212	
U001	Q6380A	RETAINER	(PTH)	1	27141884-1	
U001	Q6381	IC	LM61CIZ	1	22242212	
U001	Q6381A	RETAINER	(PTH)	1	27141884-1	
U001	Q6550	TR	2SC1815-GR	1	2211255T	
U001	Q6551	TR	2SA950-O	1	2211503T	
U001	Q6551 or	TR	2SA950-Y	(1)	2211504T	
U001	Q6560	TR	2SC1815-GR	1	2211255T	
U001	Q6561	TR	2SA950-O	1	2211503T	

U001	Q6561 or	TR	2SA950-Y	(1)	2211504T	
U001	Q6601	TR	KTC3199-GR	1	2215864T	
U001	Q6601 or	TR	2SC1740S-R	(1)	2213284T	
U001	Q6601 or	TR	2SC1740S-S	(1)	2213285T	
U001	Q6611	TR	KTC3199-GR	1	2215864T	
U001	Q6611 or	TR	2SC1740S-R	(1)	2213284T	
U001	Q6611 or	TR	2SC1740S-S	(1)	2213285T	
U001	Q6701	TR	2SC2240-BL(TPE2_F)	1	2211406T	
U001	Q6701 or	TR	KTC3200-BL	(1)	2215896T	
U001	Q6702	TR	2SC2240-BL(TPE2_F)	1	2211406T	
U001	Q6702 or	TR	KTC3200-BL	(1)	2215896T	
U001	Q6703	TR	2SA970-BL(TPE2_F)	1	2211396T	
U001	Q6703 or	TR	KTA1268-BL	(1)	2215886T	
U001	Q6713	TR	2SA970-BL(TPE2_F)	1	2211396T	
U001	Q6713 or	TR	KTA1268-BL	(1)	2215886T	
U001	<b>[CAPACITOR]</b>					
U001	C6222	UTSP C	CE04W25V-220M(UTSP)	1	397552217T	
U001	C6601	MKT C	B32529C0102J289	1	376491024T	
U001	C6601 or	TF C	ECQ-B50V-102J	(1)	374721024T	
U001	C6602	PLA C	ECQE250V-334J	1	3700083S	
U001	C6611	MKT C	B32529C0102J289	1	376491024T	
U001	C6611 or	TF C	ECQ-B50V-102J	(1)	374721024T	
U001	C6612	TF C	ECQ-V100V-334J	1	374733344T	
U001	C6622	TF C	ECQ-V100V-334J	1	374733344T	
U001	C6701	UTSP C	CE04W16V-330M(UTSP)	1	397543317T	
U001	C6703	TF C	ECQ-V50V-223J	1	374722234T	
U001	C6704	UTSP C	CE04W50V-1M(UTSP)	1	397580107T	
U001	C6706	UTSP C	CE04W50V-10M(UTSP)	1	397581007T	
U001	C6713	TF C	ECQ-V50V-223J	1	374722234T	
U001	C6714	UTSP C	CE04W50V-1M(UTSP)	1	397580107T	
U001	C6901	ELECT C	CE04W75V-22000M	1	3504471	N
U001	C6901 or	ELECT C	CE69W75V-22000M	(1)	3504478	N
U001	C6902	ELECT C	CE04W75V-22000M	1	3504471	N
U001	C6902 or	ELECT C	CE69W75V-22000M	(1)	3504478	N
U001	<b>[RESISTOR]</b>					
U001	R6222	METAL R	RNU1WCJ-1	1	453630104T	
U001	R6223	CARBON R	R16J-5.6K	1	417345624T	
U001	R6550	CARBON R	R16J-4.7K	1	417344724T	
U001	R6551	CARBON R	R16J-330	1	417343314T	
U001	R6552	CARBON R	R16J-1.8K	1	417341824T	
U001	R6553	CARBON R	R16J-1.2K	1	417341224T	
U001	R6554	CARBON R	R16J-22K	1	417342234T	
U001	R6560	CARBON R	R16J-4.7K	1	417344724T	
U001	R6561	CARBON R	R16J-330	1	417343314T	
U001	R6562	CARBON R	R16J-1.8K	1	417341824T	
U001	R6563	CARBON R	R16J-1.2K	1	417341224T	
U001	R6564	CARBON R	R16J-22K	1	417342234T	
U001	R6601	CARBON R	R16J-1K	1	417341024T	
U001	R6602	CARBON R	R16J-4.7K	1	417344724T	
U001	R6603	METAL O R	RS1/2WBJ-22	1	443522204T	
U001	R6611	CARBON R	R16J-1K	1	417341024T	
U001	R6612	CARBON R	R16J-4.7K	1	417344724T	
U001	R6613	METAL O R	RS1/2WBJ-22	1	443522204T	
U001	R6701	CARBON R	R16J-22K	1	417342234T	
U001	R6702	CARBON R	R16J-10K	1	417341034T	
U001	R6704	CARBON R	R16J-33K	1	417343334T	
U001	R6706	CARBON R	R16J-22K	1	417342234T	
U001	R6708	CARBON R	R16J-33K	1	417343334T	
U001	R6709	CARBON R	R16J-5.6K	1	417345624T	
U001	R6710	CARBON R	R16J-15K	1	417341534T	
U001	R6712	CARBON R	R16J-10K	1	417341034T	
U001	R6714	CARBON R	R16J-33K	1	417343334T	
U001	R6716	CARBON R	R16J-22K	1	417342234T	
U001	<b>[SW TRM]</b>					
U001	F6601A	FUSE HOLDER	SN5051	1	250113	!
U001	F6601B	FUSE HOLDER	SN5051	1	250113	!
U001	F6602A	FUSE HOLDER	SN5051	1	250113	!
U001	F6602B	FUSE HOLDER	SN5051	1	250113	!



U001	F6603A	FUSE HOLDER	SN5051	1	250113	!
U001	F6603B	FUSE HOLDER	SN5051	1	250113	!
U001	F6604A	FUSE HOLDER	SN5051	1	250113	!
U001	F6604B	FUSE HOLDER	SN5051	1	250113	!
U001	JL6041A	WIRE HOL	NSCT-3P874	1	25051087	
U001	JL6402A	WIRE TRAP	NPLG-3P586	1	25055624	
U001	JL6402B	WIRE HOL	NSCT-3P874	1	25051087	
U001	JL6403A	WIRE TRAP	NPLG-3P586	1	25055624	
U001	JL6403B	WIRE HOL	NSCT-3P874	1	25051087	
U001	JL6602A	WIRE HOL	NSCT-5P876	1	25051089	
U001	JL6602B	WIRE TRAP	NPLG-5P588	1	25055626	
U001	JL6900	SOCKET AS	NSAS-6P1991	1	2003B190618UL	N
U001	P5000A	SOCKET AS	NSAS-20P1825	1	200C4102010UL	
U001	P5001A	SOCKET AS	NSAS-16P1824	1	200C4191610UL	
U001	P5002A	CRIMP AS	CRIMP SR805_1	1	20799169UL	
U001	P5010B	PLUG	NPLG-3P0958	1	25056008	
U001	P5011B	PLUG	NPLG-3P0958	1	25056008	
U001	P5012B	PLUG	NPLG-3P0958	1	25056008	
U001	P5013B	PLUG	NPLG-3P0958	1	25056008	
U001	P5014B	PLUG	NPLG-3P0958	1	25056008	
U001	P5015B	PLUG	NPLG-3P0958	1	25056008	
U001	P5016B	PLUG	NPLG-3P0958	1	25056008	
U001	P5017B	PLUG	NPLG-3P0958	1	25056008	
U001	P5018B	PLUG	NPLG-3P0958	1	25056008	
U001	P5020B	TRM	NTM-1P232(M1700)	1	25060301	
U001	P5021B	TRM	NTM-1P232(M1700)	1	25060301	
U001	P5022B	TRM	NTM-1P232(M1700)	1	25060301	
U001	P5023B	TRM	NTM-1P232(M1700)	1	25060301	
U001	P5024B	TRM	NTM-1P232(M1700)	1	25060301	
U001	P5025B	TRM	NTM-1P232(M1700)	1	25060301	
U001	P5026B	TRM	NTM-1P232(M1700)	1	25060301	
U001	P5027B	TRM	NTM-1P232(M1700)	1	25060301	
U001	P5028B	TRM	NTM-1P232(M1700)	1	25060301	
U001	P6010B	PLUG	NPLG-3P0958	1	25056008	
U001	P6011B	PLUG	NPLG-3P0958	1	25056008	
U001	P6012B	PLUG	NPLG-3P0958	1	25056008	
U001	P6013B	PLUG	NPLG-3P0958	1	25056008	
U001	P6014B	PLUG	NPLG-3P0958	1	25056008	
U001	P6015B	PLUG	NPLG-3P0958	1	25056008	
U001	P6016B	PLUG	NPLG-3P0958	1	25056008	
U001	P6017B	PLUG	NPLG-3P0958	1	25056008	
U001	P6018B	PLUG	NPLG-3P0958	1	25056008	
U001	P6140	SOCKET AS	NSAS-9P1790	1	2009991156UL	
U001	P6240	SOCKET AS	NSAS-9P1812	1	2009991172AUL	N
U001	P6340	SOCKET AS	NSAS-8P1660	1	2009991064AUL	
U001	P6500	PLUG	NPLG-7P163	1	25055179	
U001	P6550	PLUG	NPLG-2P83	1	25055099	
U001	P6560	PLUG	NPLG-2P568	1	25055600	
U001	P6601	SOCKET AS	NSAS7P-1815	1	2009991174UL	N
U001	P6601A	PLUG	NPLG-7P163	1	25055179	
U001	P6602	RETAINER	(TRM-12)	1	27142148	N
U001	P6602B	RETAINER	MET37-0002	1	27142009T	
U001	P6603	RETAINER	(TRM-12)	1	27142148	N
U001	P6603B	RETAINER	MET37-0002	1	27142009T	
U001	P7210A	SOCKET AS	NSAS-22P1792	1	2009991158UL	N
U001	RL6601	RELAY	G2RL-1A-E-DC12V-423	1	25060496	N
U001	RL6602	RELAY	G2RL-1A-E-DC12V-423	1	25060496	N
U001	RL6611	RELAY	G2RL-1A-E-DC12V-423	1	25060496	N
U001	RL6612	RELAY	G2RL-1A-E-DC12V-423	1	25060496	N
U001	<b>[MECHA PARTS]</b>					
U001	P6400	RETAINER	(BUS-3)	1	27142058A	
U001	P6401	RETAINER	(BUS-S)	1	27142147	N
U001	P6402	RETAINER	(BUS-L)	1	27142146	N

U002	<b>U002</b>	<b>U0020 + U0021</b>	<b>BAAMP-0191-1A *</b>
U002	<b>U0020</b>	AMPLIFIER(C/SR/RH/SBR/R) PC BOARD ASS'Y	BAAMP-0191-1A
U002	<b>U0021</b>	AMPLIFIER(C/SR/RH/SBR/R) PC BOARD ASS'Y	BAAMP-0192-1A
U002			

U002	CIRCUIT. NO.	PART NAME	DESCRIPTION	Q'TY	PART NO. (SN)	REMARKS
U002		<b>[SEMI CONDUCTOR]</b>				
U002	D6000	DIODE	1SS133	1	223163T	
U002	D6001	DIODE	1SS133	1	223163T	
U002	D6002	DIODE	1SS133	1	223163T	
U002	D6003	DIODE	1SS133	1	223163T	
U002	D6004	DIODE	1SS133	1	223163T	
U002	D6005	DIODE	1SS133	1	223163T	
U002	D6006	DIODE	1SS133	1	223163T	
U002	D6007	DIODE	1SS133	1	223163T	
U002	D6008	DIODE	1SS133	1	223163T	
U002	Q6070	TR	2SC2631-R	1	2214984T	
U002	Q6070 or	TR	2SC2240-BL(TPE2_F)	(1)	2211406T	
U002	Q6070 or	TR	2SC2631-S	(1)	2214985T	
U002	Q6071	TR	2SC2631-R	1	2214984T	
U002	Q6071 or	TR	2SC2240-BL(TPE2_F)	(1)	2211406T	
U002	Q6071 or	TR	2SC2631-S	(1)	2214985T	
U002	Q6072	TR	2SC2631-R	1	2214984T	
U002	Q6072 or	TR	2SC2240-BL(TPE2_F)	(1)	2211406T	
U002	Q6072 or	TR	2SC2631-S	(1)	2214985T	
U002	Q6073	TR	2SC2631-R	1	2214984T	
U002	Q6073 or	TR	2SC2240-BL(TPE2_F)	(1)	2211406T	
U002	Q6073 or	TR	2SC2631-S	(1)	2214985T	
U002	Q6074	TR	2SC2631-R	1	2214984T	
U002	Q6074 or	TR	2SC2240-BL(TPE2_F)	(1)	2211406T	
U002	Q6074 or	TR	2SC2631-S	(1)	2214985T	
U002	Q6075	TR	2SC2631-R	1	2214984T	
U002	Q6075 or	TR	2SC2240-BL(TPE2_F)	(1)	2211406T	
U002	Q6075 or	TR	2SC2631-S	(1)	2214985T	
U002	Q6076	TR	2SC2631-R	1	2214984T	
U002	Q6076 or	TR	2SC2240-BL(TPE2_F)	(1)	2211406T	
U002	Q6076 or	TR	2SC2631-S	(1)	2214985T	
U002	Q6077	TR	2SC2631-R	1	2214984T	
U002	Q6077 or	TR	2SC2240-BL(TPE2_F)	(1)	2211406T	
U002	Q6077 or	TR	2SC2631-S	(1)	2214985T	
U002	Q6078	TR	2SC2631-R	1	2214984T	
U002	Q6078 or	TR	2SC2240-BL(TPE2_F)	(1)	2211406T	
U002	Q6078 or	TR	2SC2631-S	(1)	2214985T	
U002		<b>[TRANS COIL]</b>				
U002	L6000	FR CORE	*	1	5597-45502	
U002	L6001	FR CORE	*	1	5597-45502	
U002	L6002	FR CORE	*	1	5597-45502	
U002	L6003	FR CORE	*	1	5597-45502	
U002	L6004	FR CORE	*	1	5597-45502	
U002	L6005	FR CORE	*	1	5597-45502	
U002	L6006	FR CORE	*	1	5597-45502	
U002	L6007	FR CORE	*	1	5597-45502	
U002	L6008	FR CORE	*	1	5597-45502	
U002	L6010	FR CORE	*	1	5597-45502	
U002	L6011	FR CORE	*	1	5597-45502	
U002	L6012	FR CORE	*	1	5597-45502	
U002	L6013	FR CORE	*	1	5597-45502	
U002	L6014	FR CORE	*	1	5597-45502	
U002	L6015	FR CORE	*	1	5597-45502	
U002	L6016	FR CORE	*	1	5597-45502	
U002	L6017	FR CORE	*	1	5597-45502	
U002	L6018	FR CORE	*	1	5597-45502	
U002		<b>[CAPACITOR]</b>				
U002	C6040	TF C	ECQ-V50V-223J	1	374722234T	
U002	C6041	TF C	ECQ-V50V-223J	1	374722234T	
U002	C6042	TF C	ECQ-V50V-223J	1	374722234T	
U002	C6043	TF C	ECQ-V50V-223J	1	374722234T	
U002	C6044	TF C	ECQ-V50V-223J	1	374722234T	
U002	C6045	TF C	ECQ-V50V-223J	1	374722234T	
U002	C6046	TF C	ECQ-V50V-223J	1	374722234T	
U002	C6047	TF C	ECQ-V50V-223J	1	374722234T	
U002	C6048	TF C	ECQ-V50V-223J	1	374722234T	
U002		<b>[RESISTOR]</b>				

U002	R6080	METAL O R	RS1/2WBJ-10	1	443521004T	
U002	R6081	METAL O R	RS1/2WBJ-10	1	443521004T	
U002	R6082	METAL O R	RS1/2WBJ-10	1	443521004T	
U002	R6083	METAL O R	RS1/2WBJ-10	1	443521004T	
U002	R6084	METAL O R	RS1/2WBJ-10	1	443521004T	
U002	R6085	METAL O R	RS1/2WBJ-10	1	443521004T	
U002	R6086	METAL O R	RS1/2WBJ-10	1	443521004T	
U002	R6087	METAL O R	RS1/2WBJ-10	1	443521004T	
U002	R6088	METAL O R	RS1/2WBJ-10	1	443521004T	
U002	R6090	METAL O R	RS1/2WBJ-10	1	443521004T	
U002	R6091	METAL O R	RS1/2WBJ-10	1	443521004T	
U002	R6092	METAL O R	RS1/2WBJ-10	1	443521004T	
U002	R6093	METAL O R	RS1/2WBJ-10	1	443521004T	
U002	R6094	METAL O R	RS1/2WBJ-10	1	443521004T	
U002	R6095	METAL O R	RS1/2WBJ-10	1	443521004T	
U002	R6096	METAL O R	RS1/2WBJ-10	1	443521004T	
U002	R6097	METAL O R	RS1/2WBJ-10	1	443521004T	
U002	R6098	METAL O R	RS1/2WBJ-10	1	443521004T	
U002	R6170	CARBON R	R16J-33K	1	417343334T	
U002	R6171	CARBON R	R16J-33K	1	417343334T	
U002	R6172	CARBON R	R16J-33K	1	417343334T	
U002	R6173	CARBON R	R16J-33K	1	417343334T	
U002	R6174	CARBON R	R16J-33K	1	417343334T	
U002	R6175	CARBON R	R16J-33K	1	417343334T	
U002	R6176	CARBON R	R16J-33K	1	417343334T	
U002	R6177	CARBON R	R16J-33K	1	417343334T	
U002	R6178	CARBON R	R16J-33K	1	417343334T	
U002	R6180	CARBON R	R16J-56K	1	417345634T	
U002	R6181	CARBON R	R16J-56K	1	417345634T	
U002	R6182	CARBON R	R16J-56K	1	417345634T	
U002	R6183	CARBON R	R16J-56K	1	417345634T	
U002	R6184	CARBON R	R16J-56K	1	417345634T	
U002	R6185	CARBON R	R16J-56K	1	417345634T	
U002	R6186	CARBON R	R16J-56K	1	417345634T	
U002	R6187	CARBON R	R16J-56K	1	417345634T	
U002	R6188	CARBON R	R16J-56K	1	417345634T	
U002	R6190	CARBON R	R16J-10K	1	417341034T	
U002	R6191	CARBON R	R16J-10K	1	417341034T	
U002	R6192	CARBON R	R16J-10K	1	417341034T	
U002	R6193	CARBON R	R16J-10K	1	417341034T	
U002	R6194	CARBON R	R16J-10K	1	417341034T	
U002	R6195	CARBON R	R16J-10K	1	417341034T	
U002	R6196	CARBON R	R16J-10K	1	417341034T	
U002	R6197	CARBON R	R16J-10K	1	417341034T	
U002	R6198	CARBON R	R16J-10K	1	417341034T	
U002	R6210	CARBON R	R16J-47K	1	417344734T	
U002	R6211	CARBON R	R16J-47K	1	417344734T	
U002	R6212	CARBON R	R16J-47K	1	417344734T	
U002	R6213	CARBON R	R16J-47K	1	417344734T	
U002	R6214	CARBON R	R16J-47K	1	417344734T	
U002	R6215	CARBON R	R16J-47K	1	417344734T	
U002	R6216	CARBON R	R16J-47K	1	417344734T	
U002	R6217	CARBON R	R16J-47K	1	417344734T	
U002	R6218	CARBON R	R16J-47K	1	417344734T	
U002	R6230	CARBON R	R16J-47K	1	417344734T	
U002	R6231	CARBON R	R16J-47K	1	417344734T	
U002	R6232	CARBON R	R16J-47K	1	417344734T	
U002	R6233	CARBON R	R16J-47K	1	417344734T	
U002	R6234	CARBON R	R16J-47K	1	417344734T	
U002	R6235	CARBON R	R16J-47K	1	417344734T	
U002	R6236	CARBON R	R16J-47K	1	417344734T	
U002	R6237	CARBON R	R16J-47K	1	417344734T	
U002	R6238	CARBON R	R16J-47K	1	417344734T	
U002	R6400	METAL PR	MPR2W+2WK 0R47	1	4000253	N
U002	R6400 or	METAL P R	RF2EGPKR47S	(1)	4000257	
U002	R6401	METAL PR	MPR2W+2WK 0R47	1	4000253	N
U002	R6401 or	METAL P R	RF2EGPKR47S	(1)	4000257	
U002	R6402	METAL PR	MPR2W+2WK 0R47	1	4000253	N

U002	R6402 or	METAL P R	RF2EGPKR47S	(1)	4000257	
U002	R6403	METAL PR	MPR2W+2WK 0R47	1	4000253	N
U002	R6403 or	METAL P R	RF2EGPKR47S	(1)	4000257	
U002	R6404	METAL PR	MPR2W+2WK 0R47	1	4000253	N
U002	R6404 or	METAL P R	RF2EGPKR47S	(1)	4000257	
U002	R6405	METAL PR	MPR2W+2WK 0R47	1	4000253	N
U002	R6405 or	METAL P R	RF2EGPKR47S	(1)	4000257	
U002	R6406	METAL PR	MPR2W+2WK 0R47	1	4000253	N
U002	R6406 or	METAL P R	RF2EGPKR47S	(1)	4000257	
U002	R6407	METAL PR	MPR2W+2WK 0R47	1	4000253	N
U002	R6407 or	METAL P R	RF2EGPKR47S	(1)	4000257	
U002	R6408	METAL PR	MPR2W+2WK 0R47	1	4000253	N
U002	R6408 or	METAL P R	RF2EGPKR47S	(1)	4000257	
U002	R6410	METAL PR	MPR2W+2WK 0R47	1	4000253	N
U002	R6410 or	METAL P R	RF2EGPKR47S	(1)	4000257	
U002	R6411	METAL PR	MPR2W+2WK 0R47	1	4000253	N
U002	R6411 or	METAL P R	RF2EGPKR47S	(1)	4000257	
U002	R6412	METAL PR	MPR2W+2WK 0R47	1	4000253	N
U002	R6412 or	METAL P R	RF2EGPKR47S	(1)	4000257	
U002	R6413	METAL PR	MPR2W+2WK 0R47	1	4000253	N
U002	R6413 or	METAL P R	RF2EGPKR47S	(1)	4000257	
U002	R6414	METAL PR	MPR2W+2WK 0R47	1	4000253	N
U002	R6414 or	METAL P R	RF2EGPKR47S	(1)	4000257	
U002	R6415	METAL PR	MPR2W+2WK 0R47	1	4000253	N
U002	R6415 or	METAL P R	RF2EGPKR47S	(1)	4000257	
U002	R6416	METAL PR	MPR2W+2WK 0R47	1	4000253	N
U002	R6416 or	METAL P R	RF2EGPKR47S	(1)	4000257	
U002	R6417	METAL PR	MPR2W+2WK 0R47	1	4000253	N
U002	R6417 or	METAL P R	RF2EGPKR47S	(1)	4000257	
U002	R6418	METAL PR	MPR2W+2WK 0R47	1	4000253	N
U002	R6418 or	METAL P R	RF2EGPKR47S	(1)	4000257	
U002	<b>[SW TRM]</b>					
U002	JL6041B	WIRE TRAP	NPLG-3P586	1	25055624	
U002	JL6042A	WIRE HOL	NSCT-3P874	1	25051087	
U002	JL6042B	WIRE TRAP	NPLG-3P586	1	25055624	
U002	P6030A	PLUG	IMSA-9115B-05	1	25056335	N
U002	P6031A	PLUG	IMSA-9115B-05	1	25056335	N
U002	P6032A	PLUG	IMSA-9115B-05	1	25056335	N
U002	P6033A	PLUG	IMSA-9115B-05	1	25056335	N
U002	P6034A	PLUG	IMSA-9115B-05	1	25056335	N
U002	P6035A	PLUG	IMSA-9115B-05	1	25056335	N
U002	P6036A	PLUG	IMSA-9115B-05	1	25056335	N
U002	P6037A	PLUG	IMSA-9115B-05	1	25056335	N
U002	P6038A	PLUG	IMSA-9115B-05	1	25056335	N
U002	P6050	PLUG	IMSA-9201B-1-06Z388-PT1	1	25056614	
U002	P6051	PLUG	IMSA-9201B-1-06Z388-PT1	1	25056614	
U002	P6052	PLUG	IMSA-9201B-1-06Z388-PT1	1	25056614	
U002	P6053	PLUG	IMSA-9201B-1-06Z388-PT1	1	25056614	
U002	P6054	PLUG	IMSA-9201B-1-06Z388-PT1	1	25056614	
U002	P6055	PLUG	IMSA-9201B-1-06Z388-PT1	1	25056614	
U002	P6056	PLUG	IMSA-9201B-1-06Z388-PT1	1	25056614	
U002	P6057	PLUG	IMSA-9201B-1-06Z388-PT1	1	25056614	
U002	P6058	PLUG	IMSA-9201B-1-06Z388-PT1	1	25056614	
U002	P6060	PLUG	IMSA-9201B-1-06Z388-PT1	1	25056614	
U002	P6061	PLUG	IMSA-9201B-1-06Z388-PT1	1	25056614	
U002	P6062	PLUG	IMSA-9201B-1-06Z388-PT1	1	25056614	
U002	P6063	PLUG	IMSA-9201B-1-06Z388-PT1	1	25056614	
U002	P6064	PLUG	IMSA-9201B-1-06Z388-PT1	1	25056614	
U002	P6065	PLUG	IMSA-9201B-1-06Z388-PT1	1	25056614	
U002	P6066	PLUG	IMSA-9201B-1-06Z388-PT1	1	25056614	
U002	P6067	PLUG	IMSA-9201B-1-06Z388-PT1	1	25056614	
U002	P6068	PLUG	IMSA-9201B-1-06Z388-PT1	1	25056614	
U002	P6070	PLUG	NPLG-2P645	1	25055689	
U002	P6071	PLUG	NPLG-2P645	1	25055689	
U002	P6072	PLUG	NPLG-2P645	1	25055689	
U002	P6073	PLUG	NPLG-2P645	1	25055689	
U002	P6074	PLUG	NPLG-2P645	1	25055689	
U002	P6075	PLUG	NPLG-2P645	1	25055689	

U002	P6076	PLUG	NPLG-2P645	1	25055689	
U002	P6077	PLUG	NPLG-2P645	1	25055689	
U002	P6078	PLUG	NPLG-2P645	1	25055689	
U002	P6240	SOCKET AS	NSAS-4P1789	1	2009991155AUL	N
U002	P6250	SOCKET AS	NSAS-5P1791	1	2009991157AUL	N
U002	P6340A	PLUG	NPLG-2P149	1	25055165	
U002	P6350A	PLUG	NPLG-2P149	1	25055165	
U002	<b>[MECHA PARTS]</b>					
U002	P6340B	RETAINER	(AMP-4)	1	27142144	N
U002	P6340C	RETAINER	(AMP-4)	1	27142144	N
U002	P6350B	RETAINER	(AMP-5)	1	27142145	N
U002	P6350C	RETAINER	(AMP-5)	1	27142145	N

U003	<b>U003</b>	<b>U0030 ~ U0038</b>	<b>BACLA-0226-1A *</b>
U003	<b>U0030</b>	VOLTAGE AMP(L/SL/SBL/LH) PC BOARD ASS'Y	BACLA-0226-1A
U003	<b>U0031</b>	VOLTAGE AMP(R/SR/SBR/RH/C) PC BOARD ASS'Y	BACLA-0227-1A
U003	<b>U0032</b>	VOLTAGE AMP(R/SR/SBR/RH/C) PC BOARD ASS'Y	BACLA-0228-1A
U003	<b>U0033</b>	VOLTAGE AMP(L/SL/SBL/LH) PC BOARD ASS'Y	BACLA-0229-1A
U003	<b>U0034</b>	VOLTAGE AMP(R/SR/SBR/RH/C) PC BOARD ASS'Y	BACLA-0230-1A
U003	<b>U0035</b>	VOLTAGE AMP(L/SL/SBL/LH) PC BOARD ASS'Y	BACLA-0231-1A
U003	<b>U0036</b>	VOLTAGE AMP(R/SR/SBR/RH/C) PC BOARD ASS'Y	BACLA-0232-1A
U003	<b>U0037</b>	VOLTAGE AMP(L/SL/SBL/LH) PC BOARD ASS'Y	BACLA-0233-1A
U003	<b>U0038</b>	VOLTAGE AMP(R/SR/SBR/RH/C) PC BOARD ASS'Y	BACLA-0234-1A

CIRCUIT. NO.	PART NAME	DESCRIPTION	Q'TY	PART NO. (SN)	REMARKS
U003	<b>[SEMI CONDUCTOR]</b>				
U003	D5000	ZENER D	1	224470562T	
U003	D5001	ZENER D	1	224470562T	
U003	D5002	ZENER D	1	224470562T	
U003	D5003	ZENER D	1	224470562T	
U003	D5004	ZENER D	1	224470562T	
U003	D5005	ZENER D	1	224470562T	
U003	D5006	ZENER D	1	224470562T	
U003	D5007	ZENER D	1	224470562T	
U003	D5008	ZENER D	1	224470562T	
U003	Q5000	TR	1	2211406T	
U003	Q5001	TR	1	2211406T	
U003	Q5002	TR	1	2211406T	
U003	Q5003	TR	1	2211406T	
U003	Q5004	TR	1	2211406T	
U003	Q5005	TR	1	2211406T	
U003	Q5006	TR	1	2211406T	
U003	Q5007	TR	1	2211406T	
U003	Q5008	TR	1	2211406T	
U003	Q5010	TR	1	2211406T	
U003	Q5011	TR	1	2211406T	
U003	Q5012	TR	1	2211406T	
U003	Q5013	TR	1	2211406T	
U003	Q5014	TR	1	2211406T	
U003	Q5015	TR	1	2211406T	
U003	Q5016	TR	1	2211406T	
U003	Q5017	TR	1	2211406T	
U003	Q5018	TR	1	2211406T	
U003	Q5020	TR	1	2211406T	
U003	Q5021	TR	1	2211406T	
U003	Q5022	TR	1	2211406T	
U003	Q5023	TR	1	2211406T	
U003	Q5024	TR	1	2211406T	
U003	Q5025	TR	1	2211406T	
U003	Q5026	TR	1	2211406T	
U003	Q5027	TR	1	2211406T	
U003	Q5028	TR	1	2211406T	
U003	Q5030	TR	1	2211353T	
U003	Q5030 or	TR	(1)	2211354T	
U003	Q5031	TR	1	2211353T	
U003	Q5031 or	TR	(1)	2211354T	
U003	Q5032	TR	1	2211353T	
U003	Q5032 or	TR	(1)	2211354T	

U003	Q5033	TR	2SA949-O(TPE6_F)	1	2211353T
U003	Q5033 or	TR	2SA949-Y(TPE6_F)	(1)	2211354T
U003	Q5034	TR	2SA949-O(TPE6_F)	1	2211353T
U003	Q5034 or	TR	2SA949-Y(TPE6_F)	(1)	2211354T
U003	Q5035	TR	2SA949-O(TPE6_F)	1	2211353T
U003	Q5035 or	TR	2SA949-Y(TPE6_F)	(1)	2211354T
U003	Q5036	TR	2SA949-O(TPE6_F)	1	2211353T
U003	Q5036 or	TR	2SA949-Y(TPE6_F)	(1)	2211354T
U003	Q5037	TR	2SA949-O(TPE6_F)	1	2211353T
U003	Q5037 or	TR	2SA949-Y(TPE6_F)	(1)	2211354T
U003	Q5038	TR	2SA949-O(TPE6_F)	1	2211353T
U003	Q5038 or	TR	2SA949-Y(TPE6_F)	(1)	2211354T
U003	Q5040	TR	2SA949-O(TPE6_F)	1	2211353T
U003	Q5040 or	TR	2SA949-Y(TPE6_F)	(1)	2211354T
U003	Q5041	TR	2SA949-O(TPE6_F)	1	2211353T
U003	Q5041 or	TR	2SA949-Y(TPE6_F)	(1)	2211354T
U003	Q5042	TR	2SA949-O(TPE6_F)	1	2211353T
U003	Q5042 or	TR	2SA949-Y(TPE6_F)	(1)	2211354T
U003	Q5043	TR	2SA949-O(TPE6_F)	1	2211353T
U003	Q5043 or	TR	2SA949-Y(TPE6_F)	(1)	2211354T
U003	Q5044	TR	2SA949-O(TPE6_F)	1	2211353T
U003	Q5044 or	TR	2SA949-Y(TPE6_F)	(1)	2211354T
U003	Q5045	TR	2SA949-O(TPE6_F)	1	2211353T
U003	Q5045 or	TR	2SA949-Y(TPE6_F)	(1)	2211354T
U003	Q5046	TR	2SA949-O(TPE6_F)	1	2211353T
U003	Q5046 or	TR	2SA949-Y(TPE6_F)	(1)	2211354T
U003	Q5047	TR	2SA949-O(TPE6_F)	1	2211353T
U003	Q5047 or	TR	2SA949-Y(TPE6_F)	(1)	2211354T
U003	Q5048	TR	2SA949-O(TPE6_F)	1	2211353T
U003	Q5048 or	TR	2SA949-Y(TPE6_F)	(1)	2211354T
U003	Q5050	TR	2SA1360-Y	1	2202094
U003	Q5050 or	TR	2SA1360-O	(1)	2202093
U003	Q5051	TR	2SA1360-Y	1	2202094
U003	Q5051 or	TR	2SA1360-O	(1)	2202093
U003	Q5052	TR	2SA1360-Y	1	2202094
U003	Q5052 or	TR	2SA1360-O	(1)	2202093
U003	Q5053	TR	2SA1360-Y	1	2202094
U003	Q5053 or	TR	2SA1360-O	(1)	2202093
U003	Q5054	TR	2SA1360-Y	1	2202094
U003	Q5054 or	TR	2SA1360-O	(1)	2202093
U003	Q5055	TR	2SA1360-Y	1	2202094
U003	Q5055 or	TR	2SA1360-O	(1)	2202093
U003	Q5056	TR	2SA1360-Y	1	2202094
U003	Q5056 or	TR	2SA1360-O	(1)	2202093
U003	Q5057	TR	2SA1360-Y	1	2202094
U003	Q5057 or	TR	2SA1360-O	(1)	2202093
U003	Q5058	TR	2SA1360-Y	1	2202094
U003	Q5058 or	TR	2SA1360-O	(1)	2202093
U003	Q5060	TR	2SC2240-BL(TPE2_F)	1	2211406T
U003	Q5061	TR	2SC2240-BL(TPE2_F)	1	2211406T
U003	Q5062	TR	2SC2240-BL(TPE2_F)	1	2211406T
U003	Q5063	TR	2SC2240-BL(TPE2_F)	1	2211406T
U003	Q5064	TR	2SC2240-BL(TPE2_F)	1	2211406T
U003	Q5065	TR	2SC2240-BL(TPE2_F)	1	2211406T
U003	Q5066	TR	2SC2240-BL(TPE2_F)	1	2211406T
U003	Q5067	TR	2SC2240-BL(TPE2_F)	1	2211406T
U003	Q5068	TR	2SC2240-BL(TPE2_F)	1	2211406T
U003	Q5070	TR	2SC2240-BL(TPE2_F)	1	2211406T
U003	Q5071	TR	2SC2240-BL(TPE2_F)	1	2211406T
U003	Q5072	TR	2SC2240-BL(TPE2_F)	1	2211406T
U003	Q5073	TR	2SC2240-BL(TPE2_F)	1	2211406T
U003	Q5074	TR	2SC2240-BL(TPE2_F)	1	2211406T
U003	Q5075	TR	2SC2240-BL(TPE2_F)	1	2211406T
U003	Q5076	TR	2SC2240-BL(TPE2_F)	1	2211406T
U003	Q5077	TR	2SC2240-BL(TPE2_F)	1	2211406T
U003	Q5078	TR	2SC2240-BL(TPE2_F)	1	2211406T
U003	Q5080	TR	2SC3423-Y	1	2202104
U003	Q5080 or	TR	2SC3423-O	(1)	2202103

U003	Q5080A	HEAT SINK	(CLA)B	1	27160642A	N
U003	Q5080B	SCREW	3TTB+8B(3BC)	4	838430088GR	
U003	Q5081	TR	2SC3423-Y	1	2202104	
U003	Q5081 or	TR	2SC3423-O	(1)	2202103	
U003	Q5081A	HEAT SINK	(CLA)B	1	27160642A	N
U003	Q5081B	SCREW	3TTB+8B(3BC)	4	838430088GR	
U003	Q5082	TR	2SC3423-Y	1	2202104	
U003	Q5082 or	TR	2SC3423-O	(1)	2202103	
U003	Q5082A	HEAT SINK	(CLA)B	1	27160642A	N
U003	Q5082B	SCREW	3TTB+8B(3BC)	4	838430088GR	
U003	Q5083	TR	2SC3423-Y	1	2202104	
U003	Q5083 or	TR	2SC3423-O	(1)	2202103	
U003	Q5083A	HEAT SINK	(CLA)B	1	27160642A	N
U003	Q5083B	SCREW	3TTB+8B(3BC)	4	838430088GR	
U003	Q5084	TR	2SC3423-Y	1	2202104	
U003	Q5084 or	TR	2SC3423-O	(1)	2202103	
U003	Q5084A	HEAT SINK	(CLA)B	1	27160642A	N
U003	Q5084B	SCREW	3TTB+8B(3BC)	4	838430088GR	
U003	Q5085	TR	2SC3423-Y	1	2202104	
U003	Q5085 or	TR	2SC3423-O	(1)	2202103	
U003	Q5085A	HEAT SINK	(CLA)B	1	27160642A	N
U003	Q5085B	SCREW	3TTB+8B(3BC)	4	838430088GR	
U003	Q5086	TR	2SC3423-Y	1	2202104	
U003	Q5086 or	TR	2SC3423-O	(1)	2202103	
U003	Q5086A	HEAT SINK	(CLA)B	1	27160642A	N
U003	Q5086B	SCREW	3TTB+8B(3BC)	4	838430088GR	
U003	Q5087	TR	2SC3423-Y	1	2202104	
U003	Q5087 or	TR	2SC3423-O	(1)	2202103	
U003	Q5087A	HEAT SINK	(CLA)B	1	27160642A	N
U003	Q5087B	SCREW	3TTB+8B(3BC)	4	838430088GR	
U003	Q5088	TR	2SC3423-Y	1	2202104	
U003	Q5088 or	TR	2SC3423-O	(1)	2202103	
U003	Q5088B	SCREW	3TTB+8B(3BC)	4	838430088GR	
U003	Q5888A	HEAT SINK	(CLA)B	1	27160642A	N
U003	Q6010	TR	2SC1740S-S	1	2213285T	
U003	Q6011	TR	2SC1740S-S	1	2213285T	
U003	Q6012	TR	2SC1740S-S	1	2213285T	
U003	Q6013	TR	2SC1740S-S	1	2213285T	
U003	Q6014	TR	2SC1740S-S	1	2213285T	
U003	Q6015	TR	2SC1740S-S	1	2213285T	
U003	Q6016	TR	2SC1740S-S	1	2213285T	
U003	Q6017	TR	2SC1740S-S	1	2213285T	
U003	Q6018	TR	2SC1740S-S	1	2213285T	
U003	Q6020	TR	2SA933S-R	1	2213354T	
U003	Q6020 or	TR	2SA1048-GR	(1)	2212125T	
U003	Q6020 or	TR	2SA933S-S	(1)	2213355T	
U003	Q6020 or	TR	KTA1267-GR	(1)	2215995T	
U003	Q6021	TR	2SA933S-R	1	2213354T	
U003	Q6021 or	TR	2SA1048-GR	(1)	2212125T	
U003	Q6021 or	TR	2SA933S-S	(1)	2213355T	
U003	Q6021 or	TR	KTA1267-GR	(1)	2215995T	
U003	Q6022	TR	2SA933S-R	1	2213354T	
U003	Q6022 or	TR	2SA1048-GR	(1)	2212125T	
U003	Q6022 or	TR	2SA933S-S	(1)	2213355T	
U003	Q6022 or	TR	KTA1267-GR	(1)	2215995T	
U003	Q6023	TR	2SA933S-R	1	2213354T	
U003	Q6023 or	TR	2SA1048-GR	(1)	2212125T	
U003	Q6023 or	TR	2SA933S-S	(1)	2213355T	
U003	Q6023 or	TR	KTA1267-GR	(1)	2215995T	
U003	Q6024	TR	2SA933S-R	1	2213354T	
U003	Q6024 or	TR	2SA1048-GR	(1)	2212125T	
U003	Q6024 or	TR	2SA933S-S	(1)	2213355T	
U003	Q6024 or	TR	KTA1267-GR	(1)	2215995T	
U003	Q6025	TR	2SA933S-R	1	2213354T	
U003	Q6025 or	TR	2SA1048-GR	(1)	2212125T	
U003	Q6025 or	TR	2SA933S-S	(1)	2213355T	
U003	Q6025 or	TR	KTA1267-GR	(1)	2215995T	
U003	Q6026	TR	2SA933S-R	1	2213354T	

U003	Q6026 or	TR	2SA1048-GR	(1)	2212125T	
U003	Q6026 or	TR	2SA933S-S	(1)	2213355T	
U003	Q6026 or	TR	KTA1267-GR	(1)	2215995T	
U003	Q6027	TR	2SA933S-R	1	2213354T	
U003	Q6027 or	TR	2SA1048-GR	(1)	2212125T	
U003	Q6027 or	TR	2SA933S-S	(1)	2213355T	
U003	Q6027 or	TR	KTA1267-GR	(1)	2215995T	
U003	Q6028	TR	2SA933S-R	1	2213354T	
U003	Q6028 or	TR	2SA1048-GR	(1)	2212125T	
U003	Q6028 or	TR	2SA933S-S	(1)	2213355T	
U003	Q6028 or	TR	KTA1267-GR	(1)	2215995T	
U003	Q6030	TR	2SC2229-O(TPE6_F)	1	2211633T	
U003	Q6030 or	TR	2SC2229-Y(TPE6_F)	(1)	2211634T	
U003	Q6031	TR	2SC2229-O(TPE6_F)	1	2211633T	
U003	Q6031 or	TR	2SC2229-Y(TPE6_F)	(1)	2211634T	
U003	Q6032	TR	2SC2229-O(TPE6_F)	1	2211633T	
U003	Q6032 or	TR	2SC2229-Y(TPE6_F)	(1)	2211634T	
U003	Q6033	TR	2SC2229-O(TPE6_F)	1	2211633T	
U003	Q6033 or	TR	2SC2229-Y(TPE6_F)	(1)	2211634T	
U003	Q6034	TR	2SC2229-O(TPE6_F)	1	2211633T	
U003	Q6034 or	TR	2SC2229-Y(TPE6_F)	(1)	2211634T	
U003	Q6035	TR	2SC2229-O(TPE6_F)	1	2211633T	
U003	Q6035 or	TR	2SC2229-Y(TPE6_F)	(1)	2211634T	
U003	Q6036	TR	2SC2229-O(TPE6_F)	1	2211633T	
U003	Q6036 or	TR	2SC2229-Y(TPE6_F)	(1)	2211634T	
U003	Q6037	TR	2SC2229-O(TPE6_F)	1	2211633T	
U003	Q6037 or	TR	2SC2229-Y(TPE6_F)	(1)	2211634T	
U003	Q6038	TR	2SC2229-O(TPE6_F)	1	2211633T	
U003	Q6038 or	TR	2SC2229-Y(TPE6_F)	(1)	2211634T	
U003	Q6040	TR	2SA949-O(TPE6_F)	1	2211353T	
U003	Q6040 or	TR	2SA949-Y(TPE6_F)	(1)	2211354T	
U003	Q6041	TR	2SA949-O(TPE6_F)	1	2211353T	
U003	Q6041 or	TR	2SA949-Y(TPE6_F)	(1)	2211354T	
U003	Q6042	TR	2SA949-O(TPE6_F)	1	2211353T	
U003	Q6042 or	TR	2SA949-Y(TPE6_F)	(1)	2211354T	
U003	Q6043	TR	2SA949-O(TPE6_F)	1	2211353T	
U003	Q6043 or	TR	2SA949-Y(TPE6_F)	(1)	2211354T	
U003	Q6044	TR	2SA949-O(TPE6_F)	1	2211353T	
U003	Q6044 or	TR	2SA949-Y(TPE6_F)	(1)	2211354T	
U003	Q6045	TR	2SA949-O(TPE6_F)	1	2211353T	
U003	Q6045 or	TR	2SA949-Y(TPE6_F)	(1)	2211354T	
U003	Q6046	TR	2SA949-O(TPE6_F)	1	2211353T	
U003	Q6046 or	TR	2SA949-Y(TPE6_F)	(1)	2211354T	
U003	Q6047	TR	2SA949-O(TPE6_F)	1	2211353T	
U003	Q6047 or	TR	2SA949-Y(TPE6_F)	(1)	2211354T	
U003	Q6048	TR	2SA949-O(TPE6_F)	1	2211353T	
U003	Q6048 or	TR	2SA949-Y(TPE6_F)	(1)	2211354T	
U003	Q6100	TR	TTA-004(Q)TO126	1	2217442	N
U003	Q6101	TR	TTA-004(Q)TO126	1	2217442	N
U003	Q6102	TR	TTA-004(Q)TO126	1	2217442	N
U003	Q6103	TR	TTA-004(Q)TO126	1	2217442	N
U003	Q6104	TR	TTA-004(Q)TO126	1	2217442	N
U003	Q6105	TR	TTA-004(Q)TO126	1	2217442	N
U003	Q6106	TR	TTA-004(Q)TO126	1	2217442	N
U003	Q6107	TR	TTA-004(Q)TO126	1	2217442	N
U003	Q6108	TR	TTA-004(Q)TO126	1	2217442	N
U003	Q6110	TR	TTC-004(Q)TO126	1	2217452	N
U003	Q6111	TR	TTC-004(Q)TO126	1	2217452	N
U003	Q6112	TR	TTC-004(Q)TO126	1	2217452	N
U003	Q6113	TR	TTC-004(Q)TO126	1	2217452	N
U003	Q6114	TR	TTC-004(Q)TO126	1	2217452	N
U003	Q6115	TR	TTC-004(Q)TO126	1	2217452	N
U003	Q6116	TR	TTC-004(Q)TO126	1	2217452	N
U003	Q6117	TR	TTC-004(Q)TO126	1	2217452	N
U003	Q6118	TR	TTC-004(Q)TO126	1	2217452	N
U003	<b>[CAPACITOR]</b>					
U003	C5000	UTSP C	CE04W50V-10M(UTSP)	1	397581007T	
U003	C5001	UTSP C	CE04W50V-10M(UTSP)	1	397581007T	



U003	C5002	UTSP C	CE04W50V-10M(UTSP)	1	397581007T
U003	C5003	UTSP C	CE04W50V-10M(UTSP)	1	397581007T
U003	C5004	UTSP C	CE04W50V-10M(UTSP)	1	397581007T
U003	C5005	UTSP C	CE04W50V-10M(UTSP)	1	397581007T
U003	C5006	UTSP C	CE04W50V-10M(UTSP)	1	397581007T
U003	C5007	UTSP C	CE04W50V-10M(UTSP)	1	397581007T
U003	C5008	UTSP C	CE04W50V-10M(UTSP)	1	397581007T
U003	C5010	UTSJ C	CE04W50V-47M(UTSJ)	1	398084707AT
U003	C5011	UTSJ C	CE04W50V-47M(UTSJ)	1	398084707AT
U003	C5012	UTSJ C	CE04W50V-47M(UTSJ)	1	398084707AT
U003	C5013	UTSJ C	CE04W50V-47M(UTSJ)	1	398084707AT
U003	C5014	UTSJ C	CE04W50V-47M(UTSJ)	1	398084707AT
U003	C5015	UTSJ C	CE04W50V-47M(UTSJ)	1	398084707AT
U003	C5016	UTSJ C	CE04W50V-47M(UTSJ)	1	398084707AT
U003	C5017	UTSJ C	CE04W50V-47M(UTSJ)	1	398084707AT
U003	C5018	UTSJ C	CE04W50V-47M(UTSJ)	1	398084707AT
U003	C5020	UPZ C	2AUPZTF471JE	1	376334714T
U003	C5021	UPZ C	2AUPZTF471JE	1	376334714T
U003	C5022	UPZ C	2AUPZTF471JE	1	376334714T
U003	C5023	UPZ C	2AUPZTF471JE	1	376334714T
U003	C5024	UPZ C	2AUPZTF471JE	1	376334714T
U003	C5025	UPZ C	2AUPZTF471JE	1	376334714T
U003	C5026	UPZ C	2AUPZTF471JE	1	376334714T
U003	C5027	UPZ C	2AUPZTF471JE	1	376334714T
U003	C5028	UPZ C	2AUPZTF471JE	1	376334714T
U003	C5040	UTSP C	CE04W25V-220M(UTSP)	1	397552217T
U003	C5041	UTSP C	CE04W25V-220M(UTSP)	1	397552217T
U003	C5042	UTSP C	CE04W25V-220M(UTSP)	1	397552217T
U003	C5043	UTSP C	CE04W25V-220M(UTSP)	1	397552217T
U003	C5044	UTSP C	CE04W25V-220M(UTSP)	1	397552217T
U003	C5045	UTSP C	CE04W25V-220M(UTSP)	1	397552217T
U003	C5046	UTSP C	CE04W25V-220M(UTSP)	1	397552217T
U003	C5047	UTSP C	CE04W25V-220M(UTSP)	1	397552217T
U003	C5048	UTSP C	CE04W25V-220M(UTSP)	1	397552217T
U003	C5070	VX C	CE04W100V-10M(VX_BLK)	1	397391007T
U003	C5071	VX C	CE04W100V-10M(VX_BLK)	1	397391007T
U003	C5072	VX C	CE04W100V-10M(VX_BLK)	1	397391007T
U003	C5073	VX C	CE04W100V-10M(VX_BLK)	1	397391007T
U003	C5074	VX C	CE04W100V-10M(VX_BLK)	1	397391007T
U003	C5075	VX C	CE04W100V-10M(VX_BLK)	1	397391007T
U003	C5076	VX C	CE04W100V-10M(VX_BLK)	1	397391007T
U003	C5077	VX C	CE04W100V-10M(VX_BLK)	1	397391007T
U003	C5078	VX C	CE04W100V-10M(VX_BLK)	1	397391007T
U003	C5080	VX C	CE04W63V-22M(VX_BLK)	1	397372207T
U003	C5081	VX C	CE04W63V-22M(VX_BLK)	1	397372207T
U003	C5082	VX C	CE04W63V-22M(VX_BLK)	1	397372207T
U003	C5083	VX C	CE04W63V-22M(VX_BLK)	1	397372207T
U003	C5084	VX C	CE04W63V-22M(VX_BLK)	1	397372207T
U003	C5085	VX C	CE04W63V-22M(VX_BLK)	1	397372207T
U003	C5086	VX C	CE04W63V-22M(VX_BLK)	1	397372207T
U003	C5087	VX C	CE04W63V-22M(VX_BLK)	1	397372207T
U003	C5088	VX C	CE04W63V-22M(VX_BLK)	1	397372207T
U003	C5100	UPZ C	2AUPZTF101JE	1	376331014T
U003	C5101	UPZ C	2AUPZTF101JE	1	376331014T
U003	C5102	UPZ C	2AUPZTF101JE	1	376331014T
U003	C5103	UPZ C	2AUPZTF101JE	1	376331014T
U003	C5104	UPZ C	2AUPZTF101JE	1	376331014T
U003	C5105	UPZ C	2AUPZTF101JE	1	376331014T
U003	C5106	UPZ C	2AUPZTF101JE	1	376331014T
U003	C5107	UPZ C	2AUPZTF101JE	1	376331014T
U003	C5108	UPZ C	2AUPZTF101JE	1	376331014T
U003	C5110	CERA C	CC45CH50V-010C	1	345340101T
U003	C5111	CERA C	CC45CH50V-010C	1	345340101T
U003	C5112	CERA C	CC45CH50V-010C	1	345340101T
U003	C5113	CERA C	CC45CH50V-010C	1	345340101T
U003	C5114	CERA C	CC45CH50V-010C	1	345340101T
U003	C5115	CERA C	CC45CH50V-010C	1	345340101T
U003	C5116	CERA C	CC45CH50V-010C	1	345340101T

U003	C5117	CERA C	CC45CH50V-010C	1	345340101T	
U003	C5118	CERA C	CC45CH50V-010C	1	345340101T	
U003	C5120	SPC C	CE04W100V-100M(RJ5)	1	396791017T	N
U003	C5121	SPC C	CE04W100V-100M(RJ5)	1	396791017T	N
U003	C5122	SPC C	CE04W100V-100M(RJ5)	1	396791017T	N
U003	C5123	SPC C	CE04W100V-100M(RJ5)	1	396791017T	N
U003	C5124	SPC C	CE04W100V-100M(RJ5)	1	396791017T	N
U003	C5125	SPC C	CE04W100V-100M(RJ5)	1	396791017T	N
U003	C5126	SPC C	CE04W100V-100M(RJ5)	1	396791017T	N
U003	C5127	SPC C	CE04W100V-100M(RJ5)	1	396791017T	N
U003	C5128	SPC C	CE04W100V-100M(RJ5)	1	396791017T	N
U003	C5130	SPC C	CE04W100V-100M(RJ5)	1	396791017T	N
U003	C5131	SPC C	CE04W100V-100M(RJ5)	1	396791017T	N
U003	C5132	SPC C	CE04W100V-100M(RJ5)	1	396791017T	N
U003	C5133	SPC C	CE04W100V-100M(RJ5)	1	396791017T	N
U003	C5134	SPC C	CE04W100V-100M(RJ5)	1	396791017T	N
U003	C5135	SPC C	CE04W100V-100M(RJ5)	1	396791017T	N
U003	C5136	SPC C	CE04W100V-100M(RJ5)	1	396791017T	N
U003	C5137	SPC C	CE04W100V-100M(RJ5)	1	396791017T	N
U003	C5138	SPC C	CE04W100V-100M(RJ5)	1	396791017T	N
U003	C6000	MKT C	B32529C0102J289	1	376491024T	
U003	C6001	MKT C	B32529C0102J289	1	376491024T	
U003	C6002	MKT C	B32529C0102J289	1	376491024T	
U003	C6003	MKT C	B32529C0102J289	1	376491024T	
U003	C6004	MKT C	B32529C0102J289	1	376491024T	
U003	C6005	MKT C	B32529C0102J289	1	376491024T	
U003	C6006	MKT C	B32529C0102J289	1	376491024T	
U003	C6007	MKT C	B32529C0102J289	1	376491024T	
U003	C6008	MKT C	B32529C0102J289	1	376491024T	
U003	C6010	UTSP C	CE04W50V 47M(UTSP)	1	397584707T	
U003	C6011	UTSP C	CE04W50V 47M(UTSP)	1	397584707T	
U003	C6012	UTSP C	CE04W50V 47M(UTSP)	1	397584707T	
U003	C6013	UTSP C	CE04W50V 47M(UTSP)	1	397584707T	
U003	C6014	UTSP C	CE04W50V 47M(UTSP)	1	397584707T	
U003	C6015	UTSP C	CE04W50V 47M(UTSP)	1	397584707T	
U003	C6016	UTSP C	CE04W50V 47M(UTSP)	1	397584707T	
U003	C6017	UTSP C	CE04W50V 47M(UTSP)	1	397584707T	
U003	C6018	UTSP C	CE04W50V 47M(UTSP)	1	397584707T	
U003	C6020	UTSP C	CE04W50V 47M(UTSP)	1	397584707T	
U003	C6021	UTSP C	CE04W50V 47M(UTSP)	1	397584707T	
U003	C6022	UTSP C	CE04W50V 47M(UTSP)	1	397584707T	
U003	C6023	UTSP C	CE04W50V 47M(UTSP)	1	397584707T	
U003	C6024	UTSP C	CE04W50V 47M(UTSP)	1	397584707T	
U003	C6025	UTSP C	CE04W50V 47M(UTSP)	1	397584707T	
U003	C6026	UTSP C	CE04W50V 47M(UTSP)	1	397584707T	
U003	C6027	UTSP C	CE04W50V 47M(UTSP)	1	397584707T	
U003	C6028	UTSP C	CE04W50V 47M(UTSP)	1	397584707T	
U003	<b>[RESISTOR]</b>					
U003	R5000	CARBON R	R16J-1K	1	417341024T	
U003	R5001	CARBON R	R16J-1K	1	417341024T	
U003	R5002	CARBON R	R16J-1K	1	417341024T	
U003	R5003	CARBON R	R16J-1K	1	417341024T	
U003	R5004	CARBON R	R16J-1K	1	417341024T	
U003	R5005	CARBON R	R16J-1K	1	417341024T	
U003	R5006	CARBON R	R16J-1K	1	417341024T	
U003	R5007	CARBON R	R16J-1K	1	417341024T	
U003	R5008	CARBON R	R16J-1K	1	417341024T	
U003	R5010	CARBON R	R16J-56K	1	417345634T	
U003	R5011	CARBON R	R16J-56K	1	417345634T	
U003	R5012	CARBON R	R16J-56K	1	417345634T	
U003	R5013	CARBON R	R16J-56K	1	417345634T	
U003	R5014	CARBON R	R16J-56K	1	417345634T	
U003	R5015	CARBON R	R16J-56K	1	417345634T	
U003	R5016	CARBON R	R16J-56K	1	417345634T	
U003	R5017	CARBON R	R16J-56K	1	417345634T	
U003	R5018	CARBON R	R16J-56K	1	417345634T	
U003	R5020	CARBON R	R16J-330	1	417343314T	
U003	R5021	CARBON R	R16J-330	1	417343314T	



U003	R5117	CARBON R	R16J-2.2K	1	417342224T
U003	R5118	CARBON R	R16J-2.2K	1	417342224T
U003	R5120	CARBON R	R16J-2.2K	1	417342224T
U003	R5121	CARBON R	R16J-2.2K	1	417342224T
U003	R5122	CARBON R	R16J-2.2K	1	417342224T
U003	R5123	CARBON R	R16J-2.2K	1	417342224T
U003	R5124	CARBON R	R16J-2.2K	1	417342224T
U003	R5125	CARBON R	R16J-2.2K	1	417342224T
U003	R5126	CARBON R	R16J-2.2K	1	417342224T
U003	R5127	CARBON R	R16J-2.2K	1	417342224T
U003	R5128	CARBON R	R16J-2.2K	1	417342224T
U003	R5130	NF CARBON R	R25J-820	1	415478214T
U003	R5131	NF CARBON R	R25J-820	1	415478214T
U003	R5132	NF CARBON R	R25J-820	1	415478214T
U003	R5133	NF CARBON R	R25J-820	1	415478214T
U003	R5134	NF CARBON R	R25J-820	1	415478214T
U003	R5135	NF CARBON R	R25J-820	1	415478214T
U003	R5136	NF CARBON R	R25J-820	1	415478214T
U003	R5137	NF CARBON R	R25J-820	1	415478214T
U003	R5138	NF CARBON R	R25J-820	1	415478214T
U003	R5140	NF CARBON R	R25J-820	1	415478214T
U003	R5141	NF CARBON R	R25J-820	1	415478214T
U003	R5142	NF CARBON R	R25J-820	1	415478214T
U003	R5143	NF CARBON R	R25J-820	1	415478214T
U003	R5144	NF CARBON R	R25J-820	1	415478214T
U003	R5145	NF CARBON R	R25J-820	1	415478214T
U003	R5146	NF CARBON R	R25J-820	1	415478214T
U003	R5147	NF CARBON R	R25J-820	1	415478214T
U003	R5148	NF CARBON R	R25J-820	1	415478214T
U003	R5150	METAL O R	RS1/2WBJ-10K	1	443521034T
U003	R5151	METAL O R	RS1/2WBJ-10K	1	443521034T
U003	R5152	METAL O R	RS1/2WBJ-10K	1	443521034T
U003	R5153	METAL O R	RS1/2WBJ-10K	1	443521034T
U003	R5154	METAL O R	RS1/2WBJ-10K	1	443521034T
U003	R5155	METAL O R	RS1/2WBJ-10K	1	443521034T
U003	R5156	METAL O R	RS1/2WBJ-10K	1	443521034T
U003	R5157	METAL O R	RS1/2WBJ-10K	1	443521034T
U003	R5158	METAL O R	RS1/2WBJ-10K	1	443521034T
U003	R5160	NF CARBON R	R25J-1.0K	1	415471024T
U003	R5161	NF CARBON R	R25J-1.0K	1	415471024T
U003	R5162	NF CARBON R	R25J-1.0K	1	415471024T
U003	R5163	NF CARBON R	R25J-1.0K	1	415471024T
U003	R5164	NF CARBON R	R25J-1.0K	1	415471024T
U003	R5165	NF CARBON R	R25J-1.0K	1	415471024T
U003	R5166	NF CARBON R	R25J-1.0K	1	415471024T
U003	R5167	NF CARBON R	R25J-1.0K	1	415471024T
U003	R5168	NF CARBON R	R25J-1.0K	1	415471024T
U003	R5170	NF CARBON R	R25J-820	1	415478214T
U003	R5171	NF CARBON R	R25J-820	1	415478214T
U003	R5172	NF CARBON R	R25J-820	1	415478214T
U003	R5173	NF CARBON R	R25J-820	1	415478214T
U003	R5174	NF CARBON R	R25J-820	1	415478214T
U003	R5175	NF CARBON R	R25J-820	1	415478214T
U003	R5176	NF CARBON R	R25J-820	1	415478214T
U003	R5177	NF CARBON R	R25J-820	1	415478214T
U003	R5178	NF CARBON R	R25J-820	1	415478214T
U003	R5180	NF CARBON R	R25J-33	1	415473304T
U003	R5181	NF CARBON R	R25J-33	1	415473304T
U003	R5182	NF CARBON R	R25J-33	1	415473304T
U003	R5183	NF CARBON R	R25J-33	1	415473304T
U003	R5184	NF CARBON R	R25J-33	1	415473304T
U003	R5185	NF CARBON R	R25J-33	1	415473304T
U003	R5186	NF CARBON R	R25J-33	1	415473304T
U003	R5187	NF CARBON R	R25J-33	1	415473304T
U003	R5188	NF CARBON R	R25J-33	1	415473304T
U003	R5210	CARBON R	R16J-18K	1	417341834T
U003	R5211	CARBON R	R16J-18K	1	417341834T
U003	R5212	CARBON R	R16J-18K	1	417341834T

U003	R5213	CARBON R	R16J-18K	1	417341834T
U003	R5214	CARBON R	R16J-18K	1	417341834T
U003	R5215	CARBON R	R16J-18K	1	417341834T
U003	R5216	CARBON R	R16J-18K	1	417341834T
U003	R5217	CARBON R	R16J-18K	1	417341834T
U003	R5218	CARBON R	R16J-18K	1	417341834T
U003	R5220	CARBON R	R16J-18K	1	417341834T
U003	R5221	CARBON R	R16J-18K	1	417341834T
U003	R5222	CARBON R	R16J-18K	1	417341834T
U003	R5223	CARBON R	R16J-18K	1	417341834T
U003	R5224	CARBON R	R16J-18K	1	417341834T
U003	R5225	CARBON R	R16J-18K	1	417341834T
U003	R5226	CARBON R	R16J-18K	1	417341834T
U003	R5227	CARBON R	R16J-18K	1	417341834T
U003	R5228	CARBON R	R16J-18K	1	417341834T
U003	R5230	NF CARBON R	R25J-15	1	415471504T
U003	R5231	NF CARBON R	R25J-15	1	415471504T
U003	R5232	NF CARBON R	R25J-15	1	415471504T
U003	R5233	NF CARBON R	R25J-15	1	415471504T
U003	R5234	NF CARBON R	R25J-15	1	415471504T
U003	R5235	NF CARBON R	R25J-15	1	415471504T
U003	R5236	NF CARBON R	R25J-15	1	415471504T
U003	R5237	NF CARBON R	R25J-15	1	415471504T
U003	R5238	NF CARBON R	R25J-15	1	415471504T
U003	R5240	NF CARBON R	R25J-15	1	415471504T
U003	R5241	NF CARBON R	R25J-15	1	415471504T
U003	R5242	NF CARBON R	R25J-15	1	415471504T
U003	R5243	NF CARBON R	R25J-15	1	415471504T
U003	R5244	NF CARBON R	R25J-15	1	415471504T
U003	R5245	NF CARBON R	R25J-15	1	415471504T
U003	R5246	NF CARBON R	R25J-15	1	415471504T
U003	R5247	NF CARBON R	R25J-15	1	415471504T
U003	R5248	NF CARBON R	R25J-15	1	415471504T
U003	R5250	CARBON R	R16J-68K	1	417346834T
U003	R5251	CARBON R	R16J-68K	1	417346834T
U003	R5252	CARBON R	R16J-68K	1	417346834T
U003	R5253	CARBON R	R16J-68K	1	417346834T
U003	R5254	CARBON R	R16J-68K	1	417346834T
U003	R5255	CARBON R	R16J-68K	1	417346834T
U003	R5256	CARBON R	R16J-68K	1	417346834T
U003	R5257	CARBON R	R16J-68K	1	417346834T
U003	R5258	CARBON R	R16J-68K	1	417346834T
U003	R5260	CARBON R	R16J-270K	1	417342744T
U003	R5261	CARBON R	R16J-270K	1	417342744T
U003	R5262	CARBON R	R16J-270K	1	417342744T
U003	R5263	CARBON R	R16J-270K	1	417342744T
U003	R5264	CARBON R	R16J-270K	1	417342744T
U003	R5265	CARBON R	R16J-270K	1	417342744T
U003	R5266	CARBON R	R16J-270K	1	417342744T
U003	R5267	CARBON R	R16J-270K	1	417342744T
U003	R5268	CARBON R	R16J-270K	1	417342744T
U003	R5280	METAL O R	RS1/2WBJ-10K	1	443521034T
U003	R5281	METAL O R	RS1/2WBJ-10K	1	443521034T
U003	R5282	METAL O R	RS1/2WBJ-10K	1	443521034T
U003	R5283	METAL O R	RS1/2WBJ-10K	1	443521034T
U003	R5284	METAL O R	RS1/2WBJ-10K	1	443521034T
U003	R5285	METAL O R	RS1/2WBJ-10K	1	443521034T
U003	R5286	METAL O R	RS1/2WBJ-10K	1	443521034T
U003	R5287	METAL O R	RS1/2WBJ-10K	1	443521034T
U003	R5288	METAL O R	RS1/2WBJ-10K	1	443521034T
U003	R5290	CARBON R	R16J-100K	1	417341044T
U003	R5291	CARBON R	R16J-100K	1	417341044T
U003	R5292	CARBON R	R16J-100K	1	417341044T
U003	R5293	CARBON R	R16J-100K	1	417341044T
U003	R5294	CARBON R	R16J-100K	1	417341044T
U003	R5295	CARBON R	R16J-100K	1	417341044T
U003	R5296	CARBON R	R16J-100K	1	417341044T
U003	R5297	CARBON R	R16J-100K	1	417341044T

U003	R5298	CARBON R	R16J-100K	1	417341044T
U003	R5300	NF CARBON R	R25J-82	1	415478204T
U003	R5301	NF CARBON R	R25J-82	1	415478204T
U003	R5302	NF CARBON R	R25J-82	1	415478204T
U003	R5303	NF CARBON R	R25J-82	1	415478204T
U003	R5304	NF CARBON R	R25J-82	1	415478204T
U003	R5305	NF CARBON R	R25J-82	1	415478204T
U003	R5306	NF CARBON R	R25J-82	1	415478204T
U003	R5307	NF CARBON R	R25J-82	1	415478204T
U003	R5308	NF CARBON R	R25J-82	1	415478204T
U003	R5330	NF CARBON R	R25J-82	1	415478204T
U003	R5331	NF CARBON R	R25J-82	1	415478204T
U003	R5332	NF CARBON R	R25J-82	1	415478204T
U003	R5333	NF CARBON R	R25J-82	1	415478204T
U003	R5334	NF CARBON R	R25J-82	1	415478204T
U003	R5335	NF CARBON R	R25J-82	1	415478204T
U003	R5336	NF CARBON R	R25J-82	1	415478204T
U003	R5337	NF CARBON R	R25J-82	1	415478204T
U003	R5338	NF CARBON R	R25J-82	1	415478204T
U003	R5360	CARBON R	R16J-120K	1	417341244T
U003	R5361	CARBON R	R16J-120K	1	417341244T
U003	R5362	CARBON R	R16J-120K	1	417341244T
U003	R5363	CARBON R	R16J-120K	1	417341244T
U003	R5364	CARBON R	R16J-120K	1	417341244T
U003	R5365	CARBON R	R16J-120K	1	417341244T
U003	R5366	CARBON R	R16J-120K	1	417341244T
U003	R5367	CARBON R	R16J-120K	1	417341244T
U003	R5368	CARBON R	R16J-120K	1	417341244T
U003	R5370	CARBON R	R16J-560K	1	417345644T
U003	R5371	CARBON R	R16J-560K	1	417345644T
U003	R5372	CARBON R	R16J-560K	1	417345644T
U003	R5373	CARBON R	R16J-560K	1	417345644T
U003	R5374	CARBON R	R16J-560K	1	417345644T
U003	R5375	CARBON R	R16J-560K	1	417345644T
U003	R5376	CARBON R	R16J-560K	1	417345644T
U003	R5377	CARBON R	R16J-560K	1	417345644T
U003	R5378	CARBON R	R16J-560K	1	417345644T
U003	R6010	CARBON R	R16J-4.7K	1	417344724T
U003	R6011	CARBON R	R16J-4.7K	1	417344724T
U003	R6012	CARBON R	R16J-4.7K	1	417344724T
U003	R6013	CARBON R	R16J-4.7K	1	417344724T
U003	R6014	CARBON R	R16J-4.7K	1	417344724T
U003	R6015	CARBON R	R16J-4.7K	1	417344724T
U003	R6016	CARBON R	R16J-4.7K	1	417344724T
U003	R6017	CARBON R	R16J-4.7K	1	417344724T
U003	R6018	CARBON R	R16J-4.7K	1	417344724T
U003	R6020	CARBON R	R16J-3.3K	1	417343324T
U003	R6021	CARBON R	R16J-3.3K	1	417343324T
U003	R6022	CARBON R	R16J-3.3K	1	417343324T
U003	R6023	CARBON R	R16J-3.3K	1	417343324T
U003	R6024	CARBON R	R16J-3.3K	1	417343324T
U003	R6025	CARBON R	R16J-3.3K	1	417343324T
U003	R6026	CARBON R	R16J-3.3K	1	417343324T
U003	R6027	CARBON R	R16J-3.3K	1	417343324T
U003	R6028	CARBON R	R16J-3.3K	1	417343324T
U003	R6030	CARBON R	R16J-1.8K	1	417341824T
U003	R6031	CARBON R	R16J-1.8K	1	417341824T
U003	R6032	CARBON R	R16J-1.8K	1	417341824T
U003	R6033	CARBON R	R16J-1.8K	1	417341824T
U003	R6034	CARBON R	R16J-1.8K	1	417341824T
U003	R6035	CARBON R	R16J-1.8K	1	417341824T
U003	R6036	CARBON R	R16J-1.8K	1	417341824T
U003	R6037	CARBON R	R16J-1.8K	1	417341824T
U003	R6038	CARBON R	R16J-1.8K	1	417341824T
U003	R6040	TRIM R	N06HR1KBB	1	5211401T
U003	R6041	TRIM R	N06HR1KBB	1	5211401T
U003	R6042	TRIM R	N06HR1KBB	1	5211401T
U003	R6043	TRIM R	N06HR1KBB	1	5211401T



U003	R6280	NF CARBON R	R25J-18	1	415471804T	
U003	R6281	NF CARBON R	R25J-18	1	415471804T	
U003	R6282	NF CARBON R	R25J-18	1	415471804T	
U003	R6283	NF CARBON R	R25J-18	1	415471804T	
U003	R6284	NF CARBON R	R25J-18	1	415471804T	
U003	R6285	NF CARBON R	R25J-18	1	415471804T	
U003	R6286	NF CARBON R	R25J-18	1	415471804T	
U003	R6287	NF CARBON R	R25J-18	1	415471804T	
U003	R6288	NF CARBON R	R25J-18	1	415471804T	
U003	R6290	NF CARBON R	R25J-2.2	1	415470224T	
U003	R6291	NF CARBON R	R25J-2.2	1	415470224T	
U003	R6292	NF CARBON R	R25J-2.2	1	415470224T	
U003	R6293	NF CARBON R	R25J-2.2	1	415470224T	
U003	R6294	NF CARBON R	R25J-2.2	1	415470224T	
U003	R6295	NF CARBON R	R25J-2.2	1	415470224T	
U003	R6296	NF CARBON R	R25J-2.2	1	415470224T	
U003	R6297	NF CARBON R	R25J-2.2	1	415470224T	
U003	R6298	NF CARBON R	R25J-2.2	1	415470224T	
U003	R6300	NF CARBON R	R25J-2.2	1	415470224T	
U003	R6301	NF CARBON R	R25J-2.2	1	415470224T	
U003	R6302	NF CARBON R	R25J-2.2	1	415470224T	
U003	R6303	NF CARBON R	R25J-2.2	1	415470224T	
U003	R6304	NF CARBON R	R25J-2.2	1	415470224T	
U003	R6305	NF CARBON R	R25J-2.2	1	415470224T	
U003	R6306	NF CARBON R	R25J-2.2	1	415470224T	
U003	R6307	NF CARBON R	R25J-2.2	1	415470224T	
U003	R6308	NF CARBON R	R25J-2.2	1	415470224T	
U003	R6310	NF CARBON R	R25J-10	1	415471004T	
U003	R6311	NF CARBON R	R25J-10	1	415471004T	
U003	R6312	NF CARBON R	R25J-10	1	415471004T	
U003	R6313	NF CARBON R	R25J-10	1	415471004T	
U003	R6314	NF CARBON R	R25J-10	1	415471004T	
U003	R6315	NF CARBON R	R25J-10	1	415471004T	
U003	R6316	NF CARBON R	R25J-10	1	415471004T	
U003	R6317	NF CARBON R	R25J-10	1	415471004T	
U003	R6318	NF CARBON R	R25J-10	1	415471004T	
U003	[SW TRM]					
U003	P5010A	SOCKET	NSCT-3P2183	1	25052286	
U003	P5011A	SOCKET	NSCT-3P2183	1	25052286	
U003	P5012A	SOCKET	NSCT-3P2183	1	25052286	
U003	P5013A	SOCKET	NSCT-3P2183	1	25052286	
U003	P5014A	SOCKET	NSCT-3P2183	1	25052286	
U003	P5015A	SOCKET	NSCT-3P2183	1	25052286	
U003	P5016A	SOCKET	NSCT-3P2183	1	25052286	
U003	P5017A	SOCKET	NSCT-3P2183	1	25052286	
U003	P5018A	SOCKET	NSCT-3P2183	1	25052286	
U003	P5020A	TRM	NTM-1P233(M1969)	1	25060302	
U003	P5021A	TRM	NTM-1P233(M1969)	1	25060302	
U003	P5022A	TRM	NTM-1P233(M1969)	1	25060302	
U003	P5023A	TRM	NTM-1P233(M1969)	1	25060302	
U003	P5024A	TRM	NTM-1P233(M1969)	1	25060302	
U003	P5025A	TRM	NTM-1P233(M1969)	1	25060302	
U003	P5026A	TRM	NTM-1P233(M1969)	1	25060302	
U003	P5027A	TRM	NTM-1P233(M1969)	1	25060302	
U003	P5028A	TRM	NTM-1P233(M1969)	1	25060302	
U003	P6010A	SOCKET	NSCT-3P2183	1	25052286	
U003	P6011A	SOCKET	NSCT-3P2183	1	25052286	
U003	P6012A	SOCKET	NSCT-3P2183	1	25052286	
U003	P6013A	SOCKET	NSCT-3P2183	1	25052286	
U003	P6014A	SOCKET	NSCT-3P2183	1	25052286	
U003	P6015A	SOCKET	NSCT-3P2183	1	25052286	
U003	P6016A	SOCKET	NSCT-3P2183	1	25052286	
U003	P6017A	SOCKET	NSCT-3P2183	1	25052286	
U003	P6018A	SOCKET	NSCT-3P2183	1	25052286	
U003	P6030B	SOCKET	IMSA-9115S-05L	1	25052985	N
U003	P6031B	SOCKET	IMSA-9115S-05L	1	25052985	N
U003	P6032B	SOCKET	IMSA-9115S-05L	1	25052985	N
U003	P6033B	SOCKET	IMSA-9115S-05L	1	25052985	N



U003	P6034B	SOCKET	IMSA-9115S-05L	1	25052985	N
U003	P6035B	SOCKET	IMSA-9115S-05L	1	25052985	N
U003	P6036B	SOCKET	IMSA-9115S-05L	1	25052985	N
U003	P6037B	SOCKET	IMSA-9115S-05L	1	25052985	N
U003	P6038B	SOCKET	IMSA-9115S-05L	1	25052985	N

U004 **U0041** PRIMARY POWER SUPPLY PC BOARD ASS'Y BAPS-0217-2F/ 2D

CIRCUIT. NO.	PART NAME	DESCRIPTION	Q'TY	PART NO. (SN)	REMARKS
<b>[SEMI CONDUCTOR]</b>					
U004	D9000	DIODE	1	223163T	
U004	D9001	DIODE	1	223163T	
U004	D9002	DIODE	1	223163T	
U004	D9003	DIODE	1	223163T	
U004	D9004	DIODE	1	223163T	
U004	D9005	DIODE	1	223163T	
U004	D9006	DIODE	1	223163T	
U004	D9007	ZENER D	1	224470512T	
U004	D9008	DIODE	1	223163T	
U004	D9009	DIODE	1	223163T	
U004	D9010	DIODE	1	223163T	
U004	D9011	DIODE	1	223163T	
U004	D9100	DIODE	1	223163T	
U004	D9101	DIODE	1	223163T	
U004	D9200	DIODE	1	223163T	
U004	Q9100	TR	1	2211255T	
U004	Q9101	TR	1	2211255T	
U004	Q9200	TR	1	2211255T	
<b>[TRANS COIL]</b>					
U004	T9000	P TRANS	1	2301812A	! <MDC>
U004	T9000	P TRANS	1	2301813A	! <MMP, MMR>
<b>[CAPACITOR]</b>					
U004	C9000	TF C	1	374722234T	
U004	C9001	VR C	1	394642227S	<MMP, MMR>
U004	C9001	VR C	1	394652227S	<MDC>
U004	C9002	UTSP C	1	397580477T	
U004	C9008	VR C	1	394644717T	
U004	C9108	PLA C	1	3800041S	
U004	C9115	TF C	1	374721034T	
U004	C9116	TF C	1	374721034T	
U004	C9119	TF C	1	374722234T	
U004	C9201	TF C	1	374721034T	
<b>[RESISTOR]</b>					
U004	R9005	CARBON R	1	417342704T	
U004	R9100	THERMISTOR	1	4000148	
U004	R9101	THERMISTOR	1	4000148	
U004	R9102	THERMISTOR	1	4000148	
U004	R9104	CARBON R	1	417341024T	
U004	R9105	CARBON R	1	417341044T	
U004	R9106	CARBON R	1	417341014T	<MDC>
U004	R9106	CARBON R	1	417341214T	<MMP, MMR>
U004	R9107	CARBON R	1	417341024T	
U004	R9108	CARBON R	1	417341044T	
U004	R9109	CARBON R	1	417341014T	<MMP, MMR>
U004	R9109	CARBON R	1	417344704T	<MDC>
U004	R9200	CARBON R	1	417341024T	
U004	R9201	CARBON R	1	417341044T	
U004	R9202	CARBON R	1	417341014T	
<b>[SW TRM]</b>					
U004	E9100	TRM-423(SCREW)	1	25060495	
U004	E9200A	TRM	1	25060302	
U004	F9100A	FUSE HOLDER	1	250113	! <MDC>
U004	F9100A	FUSE HOLDER	1	25052133T	! <MMP, MMR>
U004	F9100B	FUSE HOLDER	1	250113	! <MDC>
U004	F9100B	FUSE HOLDER	1	25052133T	! <MMP, MMR>
U004	JL901A	WIRE HOL	1	25051091	
U004	P9007	FASTON AS	1	1F999028UL	N
U004	P9100	PLUG	1	25055676	!

U004	P9200	PLUG	NPLG-2P632	1	25055676	!
U004	RL9100	RELAY	NRL-1P10A-DC9-186	1	25065683	!
U004	RL9101	RELAY	NRL-1P10A-DC9-186	1	25065683	!
U004	RL9102	RELAY	NRL-1P10A-DC9-186	1	25065683	! <MDC>
U004	RL9200	RELAY	NRL-1P5A-DC9-179	1	25065669	!
U004	<b>[ACCESSARY]</b>					
U004	F9100C	LABEL	T6.3AL/250V	1	29361681	<MMP, MMR>
U005	<b>U005</b>	<b>U0050 ~ U0056</b>	<b>BATRM-0300-1B *</b>			
U005	<b>U0050</b>	SPEAKER TERMINAL PC BOARD ASS'Y	BATRM-0300-1B			
U005	<b>U0051</b>	CONNECTOR PC BOARD ASS'Y	BATRM-0301-1B			
U005	<b>U0052</b>	DG POWER SUPPLY PC BOARD ASS'Y	BAPS-0302-1B			
U005	<b>U0053</b>	STANDBY LED PC BOARD ASS'Y	BADIS-0303-1B			
U005	<b>U0054</b>	STANDBY SWITCH PC BOARD ASS'Y	BASW-0304-1B			
U005						
U005	<b>CIRCUIT. NO.</b>	<b>PART NAME</b>	<b>DESCRIPTION</b>	<b>Q'TY</b>	<b>PART NO. (SN)</b>	<b>REMARKS</b>
U005	<b>[SEMI CONDUCTOR]</b>					
U005	D6800	DIODE	1SS133	1	223163T	
U005	D6801	DIODE	1SS133	1	223163T	
U005	D6802	DIODE	1SS133	1	223163T	
U005	D6803	DIODE	1SS133	1	223163T	
U005	D6804	DIODE	1SS133	1	223163T	
U005	D6805	DIODE	1SS133	1	223163T	
U005	D6806	DIODE	1SS133	1	223163T	
U005	D6807	DIODE	1SS133	1	223163T	
U005	D6808	DIODE	1SS133	1	223163T	
U005	D7700	LED	SLR343WBD2P_3-XR/XS_R	1	225499A	
U005	D7700A	HOLDER	(LED)LH-5-5	1	27191312	
U005	D9300	DIODE	D10XB60H	1	22380337F	
U005	D9301	DIODE	1SS133	1	223163T	
U005	D9302	DIODE	1SS133	1	223163T	
U005	D9303	ZENER D	MTZJ5.1B	1	224470512T	
U005	D9400	DIODE	D3SBA20	1	22380271F	
U005	D9400 or	DIODE	D3SBA60	(1)	22380272F	
U005	D9410	DIODE	D3SBA20	1	22380271F	
U005	D9410 or	DIODE	D3SBA60	(1)	22380272F	
U005	D9421	ZENER D	MTZJ15B	1	224471502T	
U005	D9422	ZENER D	MTZJ15B	1	224471502T	
U005	Q6801	TR	2SC1815-GR	1	2211255T	
U005	Q6802	TR	2SC2235-Y(TPE6_F)	1	2211654T	
U005	Q6900	TR	2SC2235-Y(TPE6_F)	1	2211654T	
U005	Q6901	TR	2SC2235-Y(TPE6_F)	1	2211654T	
U005	Q7700	TR	DTC123JS	1	2213640T	
U005	Q9423	TR	2SC1815-GR	1	2211255T	
U005	Q9424	TR	2SA1015-GR	1	2211455T	
U005	Q9425	TR	2SK365-GR	1	2212445T	
U005	Q9426	TR	2SK365-GR	1	2212445T	
U005	Q9427	TR	2SB1565-E	1	2202715	
U005	Q9427 or	TR	2SA1488-Y	(1)	2203394	
U005	Q9428	TR	2SD2394-E	1	2202705	
U005	Q9428 or	TR	2SC3851-Y	(1)	2203384	
U005	<b>[TRANS COIL]</b>					
U005	L6800	S COIL	SC-0.8X11.5X12.5T-6.5L	1	231393S	
U005	L6801	S COIL	SC-0.8X11.5X12.5T-6.5L	1	231393S	
U005	L6802	S COIL	SC-0.8X11.5X12.5T-6.5L	1	231393S	
U005	L6803	S COIL	SC-0.8X11.5X12.5T-6.5L	1	231393S	
U005	L6804	S COIL	SC-0.8X11.5X12.5T-6.5L	1	231393S	
U005	L6805	S COIL	SC-0.8X11.5X12.5T-6.5L	1	231393S	
U005	L6806	S COIL	SC-0.8X11.5X12.5T-6.5L	1	231393S	
U005	L6807	S COIL	SC-0.8X11.5X12.5T-6.5L	1	231393S	
U005	L6808	S COIL	SC-0.8X11.5X12.5T-6.5L	1	231393S	
U005	<b>[CAPACITOR]</b>					
U005	C6800	TF C	ECQ-V50V-103J	1	374721034T	
U005	C6801	TF C	ECQ-V50V-103J	1	374721034T	
U005	C6802	TF C	ECQ-V50V-103J	1	374721034T	
U005	C6803	TF C	ECQ-V50V-103J	1	374721034T	
U005	C6804	TF C	ECQ-V50V-103J	1	374721034T	
U005	C6805	TF C	ECQ-V50V-103J	1	374721034T	

U005	C6806	TF C	ECQ-V50V-103J	1	374721034T
U005	C6807	TF C	ECQ-V50V-103J	1	374721034T
U005	C6808	TF C	ECQ-V50V-103J	1	374721034T
U005	C6830	MKT C	B32529C0102J289	1	376491024T
U005	C6831	MKT C	B32529C0102J289	1	376491024T
U005	C6832	MKT C	B32529C0102J289	1	376491024T
U005	C6833	MKT C	B32529C0102J289	1	376491024T
U005	C6834	MKT C	B32529C0102J289	1	376491024T
U005	C6835	MKT C	B32529C0102J289	1	376491024T
U005	C6836	MKT C	B32529C0102J289	1	376491024T
U005	C6837	MKT C	B32529C0102J289	1	376491024T
U005	C6838	MKT C	B32529C0102J289	1	376491024T
U005	C6850	TF C	ECQ-V50V-103J	1	374721034T
U005	C6851	TF C	ECQ-V50V-103J	1	374721034T
U005	C6852	TF C	ECQ-V50V-103J	1	374721034T
U005	C6853	TF C	ECQ-V50V-103J	1	374721034T
U005	C6854	TF C	ECQ-V50V-103J	1	374721034T
U005	C6855	TF C	ECQ-V50V-103J	1	374721034T
U005	C6856	TF C	ECQ-V50V-103J	1	374721034T
U005	C6857	TF C	ECQ-V50V-103J	1	374721034T
U005	C6858	TF C	ECQ-V50V-103J	1	374721034T
U005	C6870	TF C	ECQ-V50V-473J	1	374724734T
U005	C6871	TF C	ECQ-V50V-473J	1	374724734T
U005	C6872	TF C	ECQ-V50V-473J	1	374724734T
U005	C6873	TF C	ECQ-V50V-473J	1	374724734T
U005	C6874	TF C	ECQ-V50V-473J	1	374724734T
U005	C6875	TF C	ECQ-V50V-473J	1	374724734T
U005	C6876	TF C	ECQ-V50V-473J	1	374724734T
U005	C6877	TF C	ECQ-V50V-473J	1	374724734T
U005	C6878	TF C	ECQ-V50V-473J	1	374724734T
U005	C6900	VR C	CE04W16V-220M(VR)	1	394642217T
U005	C6901	VR C	CE04W16V-220M(VR)	1	394642217T
U005	C7018	TF C	ECQ-V50V-103J	1	374721034T
U005	C9300	TF C	ECQ-V50V-334J	1	374723344T
U005	C9301	VR C	CE04W16V-1000M(VR)	1	394641037S
U005	C9302	VR C	CE04W50V-4.7M(VR)	1	394680477T
U005	C9400	TF C	ECQ-V50V-223J	1	374722234T
U005	C9403	ELECT C	CE04W25V-4700M(SMQ)	1	354754726
U005	C9404	ELECT C	CE04W25V-4700M(SMQ)	1	354754726
U005	C9410	TF C	ECQ-V50V-104J	1	374721044T
U005	C9411	VR C	CE04W16V-4700M(VR)	1	394644727S
U005	C9421	UTSP C	CE04W25V-100M(UTSP)	1	397551017T
U005	C9422	UTSP C	CE04W25V-100M(UTSP)	1	397551017T
U005	C9423	UTSP C	CE04W25V-100M(UTSP)	1	397551017T
U005	C9424	UTSP C	CE04W25V-100M(UTSP)	1	397551017T
U005	<b>[RESISTOR]</b>				
U005	R6800	CARBON R	R16J-22	1	417342204T
U005	R6801	CARBON R	R16J-22	1	417342204T
U005	R6802	CARBON R	R16J-22	1	417342204T
U005	R6803	CARBON R	R16J-22	1	417342204T
U005	R6804	CARBON R	R16J-22	1	417342204T
U005	R6805	CARBON R	R16J-22	1	417342204T
U005	R6806	CARBON R	R16J-22	1	417342204T
U005	R6807	CARBON R	R16J-22	1	417342204T
U005	R6808	CARBON R	R16J-22	1	417342204T
U005	R6810	CARBON R	R16J-22	1	417342204T
U005	R6811	CARBON R	R16J-22	1	417342204T
U005	R6812	CARBON R	R16J-22	1	417342204T
U005	R6813	CARBON R	R16J-22	1	417342204T
U005	R6814	CARBON R	R16J-22	1	417342204T
U005	R6815	CARBON R	R16J-22	1	417342204T
U005	R6816	CARBON R	R16J-22	1	417342204T
U005	R6817	CARBON R	R16J-22	1	417342204T
U005	R6818	CARBON R	R16J-22	1	417342204T
U005	R6820	METAL R	RNU1WCJ-8.2	1	453630824T
U005	R6821	METAL R	RNU1WCJ-8.2	1	453630824T
U005	R6822	METAL R	RNU1WCJ-8.2	1	453630824T
U005	R6823	METAL R	RNU1WCJ-8.2	1	453630824T

U005	R6824	METAL R	RNU1WCJ-8.2	1	453630824T	
U005	R6825	METAL R	RNU1WCJ-8.2	1	453630824T	
U005	R6826	METAL R	RNU1WCJ-8.2	1	453630824T	
U005	R6827	METAL R	RNU1WCJ-8.2	1	453630824T	
U005	R6828	METAL R	RNU1WCJ-8.2	1	453630824T	
U005	R6900	METAL O R	RS1/2WBJ-330	1	443523314T	
U005	R6901	METAL O R	RS1/2WBJ-330	1	443523314T	
U005	R6902	CARBON R	R16J-10K	1	417341034T	
U005	R6903	CARBON R	R16J-2.2K	1	417342224T	
U005	R6904	CARBON R	R16J-10	1	417341004T	
U005	R7075	CARBON R	R16J-1K	1	417341024T	
U005	R7700	CARBON R	R16J-330	1	417343314T	
U005	R7701	CARBON R	R16J-1K	1	417341024T	
U005	R9300	CARBON R	R16J-5.6K	1	417345624T	
U005	R9410	METAL R	RNU1/2WCJ-0.22	1	453532294T	
U005	R9421	METAL O R	RS1WBJ-10	1	443621004T	
U005	R9422	METAL O R	RS1WBJ-10	1	443621004T	
U005	R9427	CARBON R	R16J-330	1	417343314T	
U005	R9428	CARBON R	R16J-330	1	417343314T	
U005	<b>[SW TRM]</b>					
U005	E9200B	TRM	NTM-1P232(M1700)	1	25060301	
U005	F9301A	FUSE HOL	NSCT-1P2031	1	25052133T	
U005	F9301B	FUSE HOL	NSCT-1P2031	1	25052133T	
U005	F9401A	FUSE HOL	NSCT-1P2031	1	25052133T	
U005	F9401B	FUSE HOL	NSCT-1P2031	1	25052133T	
U005	F9402A	FUSE HOL	NSCT-1P2031	1	25052133T	
U005	F9402B	FUSE HOL	NSCT-1P2031	1	25052133T	
U005	JL6800A	WIRE HOL	NSCT-5P896	1	25051109	
U005	JL6800B	SOCKET	NSCT-5P97	1	25050269	
U005	JL6900B	PLUG	NPLG-3P117	1	25055133	
U005	JL7002A	WIRE HOL	NSCT-5P896	1	25051109	
U005	JL7004A	WIRE HOL	NSCT-5P876	1	25051089	
U005	JL7007A	WIRE HOL	NSCT-3P874	1	25051087	
U005	JL7007B	WIRE TRAP	NPLG-3P586	1	25055624	
U005	JL901B	WIRE TRAP	NPLG-7P590	1	25055628	
U005	P5000B	PLUG	NPLG-10P357	1	25055374	
U005	P5001B	PLUG	NPLG-8P355	1	25055372	
U005	P6140H	PLUG	NPLG-9P156	1	25055172	
U005	P6240D	PLUG	NPLG-4P151	1	25055167	
U005	P6250E	PLUG	NPLG-5P152	1	25055168	
U005	P6800	TRM	NTM-2PDMCR399	1	25060471	
U005	P6801	TRM	NTM-2PDMCR399	1	25060471	
U005	P6802	TRM	NTM-2PDMCR399	1	25060471	
U005	P6803	TRM	NTM-2PDMCR399	1	25060471	
U005	P6804	TRM	NTM-2PDMCR399	1	25060471	
U005	P6805	TRM	NTM-2PDMCR399	1	25060471	
U005	P6806	TRM	NTM-2PDMCR399	1	25060471	
U005	P6807	TRM	NTM-2PDMCR399	1	25060471	
U005	P6808	TRM	NTM-2PDMCR399	1	25060471	
U005	P6902B	PLUG	NPLG-9P137	1	25055153	
U005	P7001A	PLUG	IMSA-9142B-8A	1	25056594	
U005	P7003B	SOCKET	IMSA-9142S-8A	1	25053226	
U005	P7700B	PLUG	NPLG-9P0964	1	25056014	
U005	P7701B	PLUG	NPLG-9P0964	1	25056014	
U005	P7702B	PLUG	NPLG-9P0964	1	25056014	
U005	P7703B	PLUG	NPLG-9P0964	1	25056014	
U005	P7704B	PLUG	NPLG-9P0964	1	25056014	
U005	P7705B	PLUG	NPLG-9P0964	1	25056014	
U005	P7706B	PLUG	NPLG-9P0964	1	25056014	
U005	P7707B	PLUG	NPLG-9P0964	1	25056014	
U005	P7708B	PLUG	NPLG-9P0964	1	25056014	
U005	P9008B	PLUG	NPLG-2P631	1	25055675	!
U005	P9301A	PLUG	NPLG-6P120	1	25055136	!
U005	P9404A	PLUG	NPLG-6P120	1	25055136	!
U005	RL6800	RELAY	NRL-2P5A-DC12-192	1	25065702	
U005	RL6800 or	RELAY	NRL-2P3A-DC12-148	(1)	25065598A	
U005	RL6801	RELAY	NRL-2P5A-DC12-192	1	25065702	
U005	RL6801 or	RELAY	NRL-2P3A-DC12-148	(1)	25065598A	

U005	RL6802	RELAY	NRL-2P5A-DC12-192	1	25065702
U005	RL6802 or	RELAY	NRL-2P3A-DC12-148	(1)	25065598A
U005	RL6803	RELAY	NRL-2P5A-DC12-192	1	25065702
U005	RL6803 or	RELAY	NRL-2P3A-DC12-148	(1)	25065598A
U005	RL6804	RELAY	NRL-2P5A-DC12-192	1	25065702
U005	RL6804 or	RELAY	NRL-2P3A-DC12-148	(1)	25065598A
U005	RL6805	RELAY	NRL-2P5A-DC12-192	1	25065702
U005	RL6805 or	RELAY	NRL-2P3A-DC12-148	(1)	25065598A
U005	RL6806	RELAY	NRL-2P5A-DC12-192	1	25065702
U005	RL6806 or	RELAY	NRL-2P3A-DC12-148	(1)	25065598A
U005	RL6807	RELAY	NRL-2P5A-DC12-192	1	25065702
U005	RL6807 or	RELAY	NRL-2P3A-DC12-148	(1)	25065598A
U005	RL6808	RELAY	NRL-2P5A-DC12-192	1	25065702
U005	RL6808 or	RELAY	NRL-2P3A-DC12-148	(1)	25065598A
U005	S7700	PUSH SW	NPS-111-S681	1	25035718T

U006	<b>U006</b>	<b>U0060 ~ U00611</b>	<b>BADG-0307-1A/ 1B *</b>
U006	<b>U0060</b>	CPU PC BOARD ASS'Y	BADG-0307-1A/ 1B
U006	<b>U0061</b>	HOLDER PC BOARD	BAMEC-0308-1A/ 1B
U006	<b>U0062</b>	INPUT TERMINAL PC BOARD ASS'Y	BATRM-0310-1A/ 1B
U006	<b>U0063</b>	INPUT TERMINAL PC BOARD ASS'Y	BATRM-0311-1A/ 1B
U006	<b>U0064</b>	INPUT TERMINAL PC BOARD ASS'Y	BATRM-0312-1A/ 1B
U006	<b>U0065</b>	INPUT TERMINAL PC BOARD ASS'Y	BATRM-0313-1A/ 1B
U006	<b>U0066</b>	INPUT TERMINAL PC BOARD ASS'Y	BATRM-0314-1A/ 1B
U006	<b>U0067</b>	INPUT TERMINAL PC BOARD ASS'Y	BATRM-0315-1A/ 1B
U006	<b>U0068</b>	INPUT TERMINAL PC BOARD ASS'Y	BATRM-0316-1A/ 1B
U006	<b>U0069</b>	INPUT TERMINAL PC BOARD ASS'Y	BATRM-0317-1A/ 1B
U006	<b>U00610</b>	INPUT TERMINAL PC BOARD ASS'Y	BATRM-0318-1A/ 1B
U006	<b>U00611</b>	AUTO POWER SAVE SWITCH PC BOARD ASS'Y	BATRM-0319-1A/ 1B

CIRCUIT. NO.	PART NAME	DESCRIPTION	Q'TY	PART NO. (SN)	REMARKS
<b>[SEMI CONDUCTOR]</b>					
U006	D7001	C-DIODE	1	223234R2	
U006	D7002	C-DIODE	1	223234R2	
U006	D7004	C-DIODE	1	223234R2	
U006	D7005	C-DIODE	1	223234R2	
U006	D7006	ZENER D	1	224550510R2	
U006	D7010	C-DIODE	1	223234R2	
U006	D7011	ZENER D	1	224550510R2	
U006	D7500	C-DIODE	1	223269R2	
U006	D7501	C-DIODE	1	223269R2	
U006	D7502	C-DIODE	1	223269R2	
U006	D7503	C-DIODE	1	223269R2	
U006	D7504	C-DIODE	1	223269R2	
U006	D7505	C-DIODE	1	223269R2	
U006	D7506	C-DIODE	1	223269R2	
U006	D7507	C-DIODE	1	223269R2	
U006	D7508	C-DIODE	1	223269R2	
U006	Q7000	IC(MAIN MICROPROCESSOR)	1	222W0099R303430	
U006	Q7001	IC	1	22242331R2	
U006	Q7002	IC	1	22242585R2	
U006	Q7003	IC	1	22242222R2	
U006	Q7004	TR	1	2216220R2	
U006	Q7005	TR	1	2216210R2	
U006	Q7006	IC	1	22242326R2	
U006	Q7007	IC	1	22242614R2	
U006	Q7008	PHT CP	1	24120141R2	
U006	Q7500	IC	1	22242283R2	
U006	Q7501	IC	1	22242283R2	
U006	Q7502	IC	1	22242283R2	
U006	Q7503	IC	1	22242283R2	
U006	Q7504	IC	1	22242283R2	
U006	Q7505	IC	1	22242283R2	
U006	Q7506	IC	1	22242283R2	
U006	Q7507	IC	1	22242283R2	
U006	Q7508	IC	1	22242283R2	
U006	Q7510	TR	1	2215410R2	
U006	Q7511	TR	1	2215410R2	

U006	Q7512	TR	RN1441	1	2215410R2
U006	Q7513	TR	RN1441	1	2215410R2
U006	Q7514	TR	RN1441	1	2215410R2
U006	Q7515	TR	RN1441	1	2215410R2
U006	Q7516	TR	RN1441	1	2215410R2
U006	Q7517	TR	RN1441	1	2215410R2
U006	Q7518	TR	RN1441	1	2215410R2
U006	<b>[CAPACITOR]</b>				
U006	C7000	C-CERA C	CK725F1E-104Z1	1	332161040R1
U006	C7001	C-CERA C	CK725F1E-104Z1	1	332161040R1
U006	C7002	UTSP C	CE04W16V-470M(UTSP)	1	397544717T
U006	C7003	C-CERA C	CK725F1E-104Z1	1	332161040R1
U006	C7005	C-CERA C	CK725F1E-104Z1	1	332161040R1
U006	C7006	VR C	CE04W16V-100M(VR)	1	394641017T
U006	C7008	VR C	CE04W16V-100M(VR)	1	394641017T
U006	C7009	UTSP C	CE04W50V-10M(UTSP)	1	397581007T
U006	C7010	C-CERA C	CK725F1E-104Z1	1	332161040R1
U006	C7011	VR C	CE04W16V-100M(VR)	1	394641017T
U006	C7012	C-CERA C	CK725F1A-105Z1	1	332181050R1
U006	C7013	C-CERA C	CK725F1A-105Z1	1	332181050R1
U006	C7014	C-CERA C	CK725B1H-102K1	1	332101025R1
U006	C7015	C-CERA C	CK725B1H-103K1	1	332101035R1
U006	C7016	C-CERA C	CK725F1A-105Z1	1	332181050R1
U006	C7017	VR C	CE04W16V-100M(VR)	1	394641017T
U006	C7049	C-CERA C	CK725B1H-102K1	1	332101025R1
U006	C7061	C-CERA C	CK725F1E-104Z1	1	332161040R1
U006	C7062	C-CERA C	CK725F1E-104Z1	1	332161040R1
U006	C7135	C-CERA C	CK725F1E-104Z1	1	332161040R1
U006	C7136	C-CERA C	CK725F1E-104Z1	1	332161040R1
U006	C7139	C-CERA C	CK725B1H-102K1	1	332101025R1
U006	C7140	C-CERA C	CK725B1H-102K1	1	332101025R1
U006	C7141	C-CERA C	CK725B1H-102K1	1	332101025R1
U006	C7142	C-CERA C	CK725F1E-104Z1	1	332161040R1
U006	C7500	UTSJ C	CE04W50V-47M(UTSJ)	1	398084707AT
U006	C7501	UTSJ C	CE04W50V-47M(UTSJ)	1	398084707AT
U006	C7502	UTSJ C	CE04W50V-47M(UTSJ)	1	398084707AT
U006	C7503	UTSJ C	CE04W50V-47M(UTSJ)	1	398084707AT
U006	C7504	UTSJ C	CE04W50V-47M(UTSJ)	1	398084707AT
U006	C7505	UTSJ C	CE04W50V-47M(UTSJ)	1	398084707AT
U006	C7506	UTSJ C	CE04W50V-47M(UTSJ)	1	398084707AT
U006	C7507	UTSJ C	CE04W50V-47M(UTSJ)	1	398084707AT
U006	C7508	UTSJ C	CE04W50V-47M(UTSJ)	1	398084707AT
U006	C7510	UTSJ C	CE04W50V-47M(UTSJ)	1	398084707AT
U006	C7511	UTSJ C	CE04W50V-47M(UTSJ)	1	398084707AT
U006	C7512	UTSJ C	CE04W50V-47M(UTSJ)	1	398084707AT
U006	C7513	UTSJ C	CE04W50V-47M(UTSJ)	1	398084707AT
U006	C7514	UTSJ C	CE04W50V-47M(UTSJ)	1	398084707AT
U006	C7515	UTSJ C	CE04W50V-47M(UTSJ)	1	398084707AT
U006	C7516	UTSJ C	CE04W50V-47M(UTSJ)	1	398084707AT
U006	C7517	UTSJ C	CE04W50V-47M(UTSJ)	1	398084707AT
U006	C7518	UTSJ C	CE04W50V-47M(UTSJ)	1	398084707AT
U006	C7530	C-CERA C	CC725CH1H-221J1	1	342102214R1
U006	C7531	C-CERA C	CC725CH1H-221J1	1	342102214R1
U006	C7532	C-CERA C	CC725CH1H-221J1	1	342102214R1
U006	C7533	C-CERA C	CC725CH1H-221J1	1	342102214R1
U006	C7534	C-CERA C	CC725CH1H-221J1	1	342102214R1
U006	C7535	C-CERA C	CC725CH1H-221J1	1	342102214R1
U006	C7536	C-CERA C	CC725CH1H-221J1	1	342102214R1
U006	C7537	C-CERA C	CC725CH1H-221J1	1	342102214R1
U006	C7538	C-CERA C	CC725CH1H-221J1	1	342102214R1
U006	C7540	UTSJ C	CE04W25V-220M(UTSJ)	1	398052217AT
U006	C7541	UTSJ C	CE04W25V-220M(UTSJ)	1	398052217AT
U006	C7542	UTSJ C	CE04W25V-220M(UTSJ)	1	398052217AT
U006	C7543	UTSJ C	CE04W25V-220M(UTSJ)	1	398052217AT
U006	C7544	UTSJ C	CE04W25V-220M(UTSJ)	1	398052217AT
U006	C7545	UTSJ C	CE04W25V-220M(UTSJ)	1	398052217AT
U006	C7546	UTSJ C	CE04W25V-220M(UTSJ)	1	398052217AT
U006	C7547	UTSJ C	CE04W25V-220M(UTSJ)	1	398052217AT



U006	C7634	TF C	ECQ-V50V-224J	1	374722244T
U006	C7635	TF C	ECQ-V50V-224J	1	374722244T
U006	C7636	TF C	ECQ-V50V-224J	1	374722244T
U006	C7637	TF C	ECQ-V50V-224J	1	374722244T
U006	C7638	TF C	ECQ-V50V-224J	1	374722244T
U006	X7000	CERA LOCK	CR06000-TG-AOR	1	3010433T
U006	X7000 or	CERA LOCK	CSTLS6M00G-56-A0	(1)	3010427T
U006	<b>[RESISTOR]</b>				
U006	R7003	C-CARBON R	RN72K1J-470JE	1	435034704R1
U006	R7004	C-CARBON R	RN72K1J-473JE	1	435034734R1
U006	R7005	C-CARBON R	RN72K1J-473JE	1	435034734R1
U006	R7012	C-CARBON R	RN72K1J-470JE	1	435034704R1
U006	R7013	C-CARBON R	RN72K1J-470JE	1	435034704R1
U006	R7014	C-CARBON R	RN72K1J-470JE	1	435034704R1
U006	R7016	C-CARBON R	RN72K1J-471JE	1	435034714R1
U006	R7017	C-CARBON R	RN72K1J-470JE	1	435034704R1
U006	R7019	C-CARBON R	RN72K1J-470JE	1	435034704R1
U006	R7020	C-CARBON R	RN72K1J-470JE	1	435034704R1
U006	R7021	C-CARBON R	RN72K1J-470JE	1	435034704R1
U006	R7024	C-CARBON R	RN72K1J-221JE	1	435032214R1
U006	R7026	C-CARBON R	RN72K1J-470JE	1	435034704R1
U006	R7027	C-CARBON R	RN72K1J-000JE	1	435030004R1
U006	R7029	C-CARBON R	RN72K1J-000JE	1	435030004R1
U006	R7030	C-CARBON R	RN72K1J-000JE	1	435030004R1
U006	R7035	C-CARBON R	RN72K1J-470JE	1	435034704R1
U006	R7036	C-CARBON R	RN72K1J-470JE	1	435034704R1
U006	R7037	C-CARBON R	RN72K1J-470JE	1	435034704R1
U006	R7038	C-CARBON R	RN72K1J-470JE	1	435034704R1
U006	R7039	C-CARBON R	RN72K1J-472JE	1	435034724R1
U006	R7040	C-CARBON R	RN72K1J-472JE	1	435034724R1
U006	R7042	C-CARBON R	RN72K1J-470JE	1	435034704R1
U006	R7043	C-CARBON R	RN72K1J-470JE	1	435034704R1
U006	R7044	C-CARBON R	RN72K1J-221JE	1	435032214R1
U006	R7045	C-CARBON R	RN72K1J-221JE	1	435032214R1
U006	R7049	C-CARBON R	RN72K1J-221JE	1	435032214R1
U006	R7050	C-CARBON R	RN72K1J-221JE	1	435032214R1
U006	R7051	C-CARBON R	RN72K1J-221JE	1	435032214R1
U006	R7052	C-CARBON R	RN72K1J-221JE	1	435032214R1
U006	R7053	C-CARBON R	RN72K1J-221JE	1	435032214R1
U006	R7054	C-CARBON R	RN72K1J-221JE	1	435032214R1
U006	R7058	C-CARBON R	RN72K1J-472JE	1	435034724R1
U006	R7066	C-CARBON R	RN72K1J-473JE	1	435034734R1
U006	R7067	C-CARBON R	RN72K1J-102JE	1	435031024R1
U006	R7068	METAL R	RNU1/2WCJ-8.2	1	453530824T
U006	R7069	METAL R	RNU1/2WCJ-8.2	1	453530824T
U006	R7070	C-CARBON R	RN72K1J-222JE	1	435032224R1
U006	R7071	C-CARBON R	RN72K1J-222JE	1	435032224R1
U006	R7073	C-CARBON R	RN72K1J-222JE	1	435032224R1
U006	R7074	C-CARBON R	RN72K1J-102JE	1	435031024R1
U006	R7103	C-CARBON R	RN72K1J-103JE	1	435031034R1
U006	R7112	METAL R	RNU1/2WCJ-8.2	1	453530824T
U006	R7113	METAL R	RNU1/2WCJ-8.2	1	453530824T
U006	R7124	C-CARBON R	RN72K1J-152JE	1	435031524R1
U006	R7125	C-CARBON R	RN72K1J-103JE	1	435031034R1
U006	R7126	C-CARBON R	RN72K1J-103JE	1	435031034R1
U006	R7135	C-CARBON R	RN72K1J-103JE	1	435031034R1
U006	R7136	C-CARBON R	RN72K1J-103JE	1	435031034R1
U006	R7138	C-CARBON R	RN72K1J-103JE	1	435031034R1
U006	R7139	C-CARBON R	RN72K1J-272JE	1	435032724R1
U006	R7140	C-CARBON R	RN72K1J-272JE	1	435032724R1
U006	R7149	C-CARBON R	RN72K1J-103JE	1	435031034R1
U006	R7150	C-CARBON R	RN72K1J-224JE	1	435032244R1
U006	R7151	C-CARBON R	RN72K1J-224JE	1	435032244R1
U006	R7152	C-CARBON R	RN72K1J-103JE	1	435031034R1
U006	R7153	C-CARBON R	RN72K1J-103JE	1	435031034R1
U006	R7154	C-CARBON R	RN72K1J-103JE	1	435031034R1
U006	R7235	C-CARBON R	RN72K1J-224JE	1	435032244R1
U006	R7236	C-CARBON R	RN72K1J-224JE	1	435032244R1







U006	R7671	C-CARBON R	RN72K1J-224JE	1	435032244R1	
U006	R7672	C-CARBON R	RN72K1J-224JE	1	435032244R1	
U006	R7673	C-CARBON R	RN72K1J-224JE	1	435032244R1	
U006	R7674	C-CARBON R	RN72K1J-224JE	1	435032244R1	
U006	R7675	C-CARBON R	RN72K1J-224JE	1	435032244R1	
U006	R7676	C-CARBON R	RN72K1J-224JE	1	435032244R1	
U006	R7677	C-CARBON R	RN72K1J-224JE	1	435032244R1	
U006	R7678	C-CARBON R	RN72K1J-224JE	1	435032244R1	
U006	R7680	C-CARBON R	RN72K1J-000JE	1	435030004R1	
U006	R7681	C-CARBON R	RN72K1J-000JE	1	435030004R1	
U006	R7682	C-CARBON R	RN72K1J-000JE	1	435030004R1	
U006	R7683	C-CARBON R	RN72K1J-000JE	1	435030004R1	
U006	R7684	C-CARBON R	RN72K1J-000JE	1	435030004R1	
U006	R7685	C-CARBON R	RN72K1J-000JE	1	435030004R1	
U006	R7686	C-CARBON R	RN72K1J-000JE	1	435030004R1	
U006	R7687	C-CARBON R	RN72K1J-000JE	1	435030004R1	
U006	R7688	C-CARBON R	RN72K1J-000JE	1	435030004R1	
U006	R7690	C-CARBON R	RN72K1J-331JE	1	435033314R1	
U006	R7691	C-CARBON R	RN72K1J-331JE	1	435033314R1	
U006	R7692	C-CARBON R	RN72K1J-331JE	1	435033314R1	
U006	R7693	C-CARBON R	RN72K1J-331JE	1	435033314R1	
U006	R7694	C-CARBON R	RN72K1J-331JE	1	435033314R1	
U006	R7695	C-CARBON R	RN72K1J-331JE	1	435033314R1	
U006	R7696	C-CARBON R	RN72K1J-331JE	1	435033314R1	
U006	R7697	C-CARBON R	RN72K1J-331JE	1	435033314R1	
U006	R7698	C-CARBON R	RN72K1J-331JE	1	435033314R1	
U006	R7700	C-CARBON R	RN72K1J-331JE	1	435033314R1	
U006	R7701	C-CARBON R	RN72K1J-331JE	1	435033314R1	
U006	R7702	C-CARBON R	RN72K1J-331JE	1	435033314R1	
U006	R7703	C-CARBON R	RN72K1J-331JE	1	435033314R1	
U006	R7704	C-CARBON R	RN72K1J-331JE	1	435033314R1	
U006	R7705	C-CARBON R	RN72K1J-331JE	1	435033314R1	
U006	R7706	C-CARBON R	RN72K1J-331JE	1	435033314R1	
U006	R7707	C-CARBON R	RN72K1J-331JE	1	435033314R1	
U006	R7708	C-CARBON R	RN72K1J-331JE	1	435033314R1	
U006	R7710	C-CARBON R	RN72K1J-152JE	1	435031524R1	
U006	R7711	C-CARBON R	RN72K1J-152JE	1	435031524R1	
U006	R7712	C-CARBON R	RN72K1J-152JE	1	435031524R1	
U006	R7713	C-CARBON R	RN72K1J-152JE	1	435031524R1	
U006	R7714	C-CARBON R	RN72K1J-152JE	1	435031524R1	
U006	R7715	C-CARBON R	RN72K1J-152JE	1	435031524R1	
U006	R7716	C-CARBON R	RN72K1J-152JE	1	435031524R1	
U006	R7717	C-CARBON R	RN72K1J-152JE	1	435031524R1	
U006	R7718	C-CARBON R	RN72K1J-152JE	1	435031524R1	
U006	<b>[SW TRM]</b>					
U006	E7000	TRM-423(SCREW)	NEJITANSI ST3	1	25060495	
U006	E7001	TRM-423(SCREW)	NEJITANSI ST3	1	25060495	
U006	E7700	TRM	NTM-1P233(M1969)	1	25060302	
U006	E7701	TRM	NTM-1P233(M1969)	1	25060302	
U006	E7702	TRM	NTM-1P233(M1969)	1	25060302	
U006	E7703	TRM	NTM-1P233(M1969)	1	25060302	
U006	E7704	TRM	NTM-1P233(M1969)	1	25060302	
U006	E7705	TRM	NTM-1P233(M1969)	1	25060302	
U006	E7706	TRM	NTM-1P233(M1969)	1	25060302	
U006	E7707	TRM	NTM-1P233(M1969)	1	25060302	
U006	E7708	TRM	NTM-1P233(M1969)	1	25060302	
U006	E9200	TRM	NTM-1P232(M1700)	1	25060301	
U006	E9300	TRM-423(SCREW)	NEJITANSI ST3	1	25060495	
U006	JL7002B	SOCKET	NSCT-5P97	1	25050269	
U006	JL7004B	WIRE TRAP	NPLG-5P588	1	25055626	
U006	P5002B	CRIMP AS	CRIMP_PAMC5500	1	20799180UL	N
U006	P7000	ST JACK	MSJ-035-22	1	25045887	
U006	P7000 or	JACK	YKB21-5130	(1)	25045387	
U006	P7001B	SOCKET	IMSA-9142S-8A	1	25053226	
U006	P7003A	PLUG	IMSA-9142B-8A	1	25056594	
U006	P7005B	SOCKET	IMSA-9618S-09A	1	25053334R2	
U006	P7006A	PLUG	IMSA-9142B-8A	1	25056594	
U006	P7006B	SOCKET	IMSA-9142S-8A	1	25053226	

U006	P7007	TRM-423(SCREW)	NEJITANSI ST3	1	25060495	
U006	P7008	TRM-423(SCREW)	NEJITANSI ST3	1	25060495	
U006	P7010	TRM	NTM-1P233(M1969)	1	25060302	
U006	P7210B	PLUG	NPLG-11P358	1	25055375	
U006	P7500	SOCKET	NSCT-3P2649	1	25052753	
U006	P7501	SOCKET	NSCT-3P2649	1	25052753	
U006	P7502	SOCKET	NSCT-3P2649	1	25052753	
U006	P7503	SOCKET	NSCT-3P2649	1	25052753	
U006	P7504	SOCKET	NSCT-3P2649	1	25052753	
U006	P7505	SOCKET	NSCT-3P2649	1	25052753	
U006	P7506	SOCKET	NSCT-3P2649	1	25052753	
U006	P7507	SOCKET	NSCT-3P2649	1	25052753	
U006	P7508	SOCKET	NSCT-3P2649	1	25052753	
U006	P7510	PIN JACK	NPJ-1PDB707	1	25045941	N
U006	P7511	PIN JACK	NPJ-1PDB707	1	25045941	N
U006	P7512	PIN JACK	NPJ-1PDB707	1	25045941	N
U006	P7513	PIN JACK	NPJ-1PDB707	1	25045941	N
U006	P7514	PIN JACK	NPJ-1PDB707	1	25045941	N
U006	P7515	PIN JACK	NPJ-1PDB707	1	25045941	N
U006	P7516	PIN JACK	NPJ-1PDB707	1	25045941	N
U006	P7517	PIN JACK	NPJ-1PDB707	1	25045941	N
U006	P7518	PIN JACK	NPJ-1PDB707	1	25045941	N
U006	P7700A	SOCKET	NSCT-9P2189	1	25052292	
U006	P7701A	SOCKET	NSCT-9P2189	1	25052292	
U006	P7702A	SOCKET	NSCT-9P2189	1	25052292	
U006	P7703A	SOCKET	NSCT-9P2189	1	25052292	
U006	P7704A	SOCKET	NSCT-9P2189	1	25052292	
U006	P7705A	SOCKET	NSCT-9P2189	1	25052292	
U006	P7706A	SOCKET	NSCT-9P2189	1	25052292	
U006	P7707A	SOCKET	NSCT-9P2189	1	25052292	
U006	P7708A	SOCKET	NSCT-9P2189	1	25052292	
U006	RL7500	RELAY	NRL-2P2A-DC12-178	1	25065664	
U006	RL7501	RELAY	NRL-2P2A-DC12-178	1	25065664	
U006	RL7502	RELAY	NRL-2P2A-DC12-178	1	25065664	
U006	RL7503	RELAY	NRL-2P2A-DC12-178	1	25065664	
U006	RL7504	RELAY	NRL-2P2A-DC12-178	1	25065664	
U006	RL7505	RELAY	NRL-2P2A-DC12-178	1	25065664	
U006	RL7506	RELAY	NRL-2P2A-DC12-178	1	25065664	
U006	RL7507	RELAY	NRL-2P2A-DC12-178	1	25065664	
U006	RL7508	RELAY	NRL-2P2A-DC12-178	1	25065664	
U006	SW7000	LEVER SW	NLS1121026L072	1	25040099	N
U006	SW7001	LEVER SW	NLS1121026L072	1	25040099	N
U006	SW7500	LEVER SW	NLS1121026L072	1	25040099	N
U006	SW7501	LEVER SW	NLS1121026L072	1	25040099	N
U006	SW7502	LEVER SW	NLS1121026L072	1	25040099	N
U006	SW7503	LEVER SW	NLS1121026L072	1	25040099	N
U006	SW7504	LEVER SW	NLS1121026L072	1	25040099	N
U006	SW7505	LEVER SW	NLS1121026L072	1	25040099	N
U006	SW7506	LEVER SW	NLS1121026L072	1	25040099	N
U006	SW7507	LEVER SW	NLS1121026L072	1	25040099	N
U006	SW7508	LEVER SW	NLS1121026L072	1	25040099	N

# ONKYO

## ONKYO SOUND & VISION CORPORATION

Technical Support, Service Dept.: 2-1, Nisshin-cho, Neyagawa-shi, OSAKA 572-8540, JAPAN  
Tel: 072-831-8023 Fax: 072-831-8163

## ONKYO U.S.A. CORPORATION

18 Park Way, Upper Saddle River, N.J. 07458, U.S.A.  
Tel: 800-229-1687, 201-785-2600 Fax: 201-785-2650  
<http://www.us.onkyo.com/>

## ONKYO EUROPE ELECTRONICS GmbH

Liegnitzerstrasse 6, 82194 Groebenzell, GERMANY  
Tel: +49-8142-4401-0 Fax: +49-8142-4401-555  
<http://www.eu.onkyo.com/>

## ONKYO EUROPE ELECTRONICS GmbH (UK BRANCH)

The Coach House 81A High Street, Marlow, Buckinghamshire, SL7 1AB, UK  
Tel: +44-(0)1628-473-350 Fax: +44-(0)1628-401-700

## ONKYO CHINA LIMITED

Unit 1033, 10/F, Star House, No 3, Salisbury Road, Tsim Sha Tsui Kowloon, Hong Kong.  
Tel: 852-2429-3118 Fax: 852-2428-9039  
<http://www.ch.onkyo.com/>